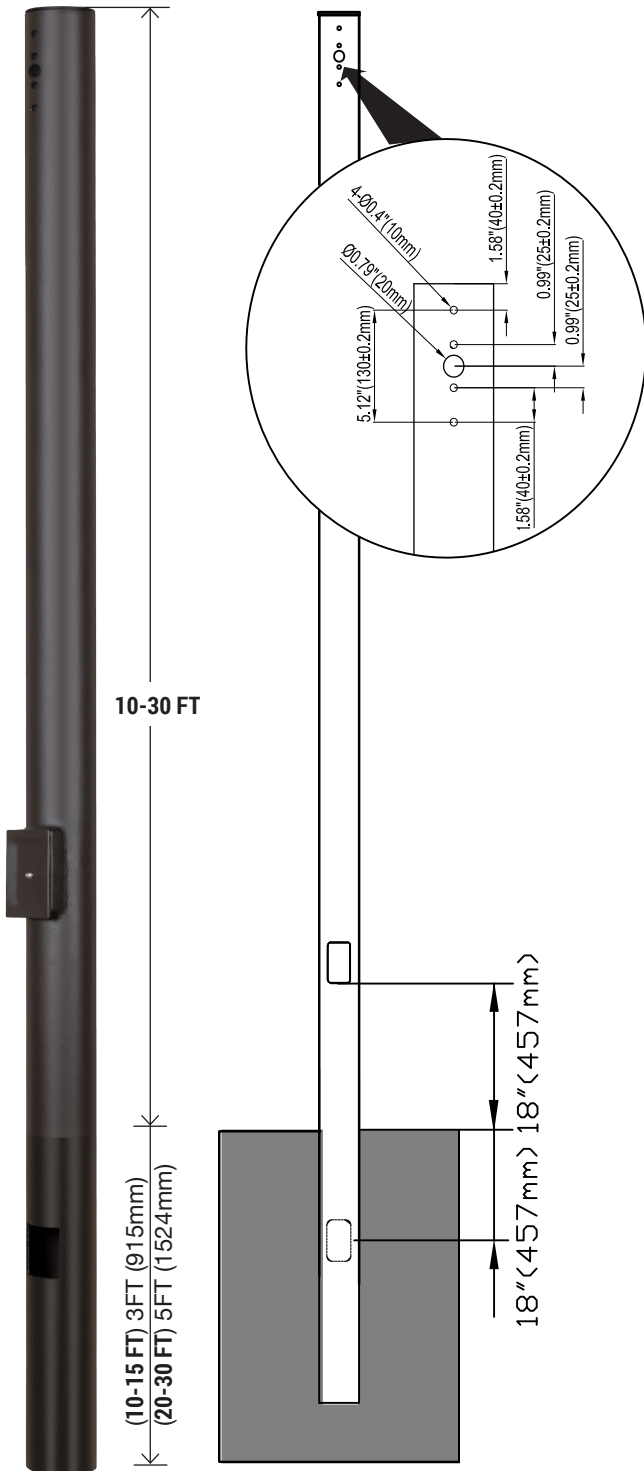


# Direct Burial Straight Round Steel Poles

Size: 4" , 5"



The Direct Burial Straight Round poles are built from high strength steel tube and are available side drilled for arm mounted area lighting luminaires or with tenon mounts for flood and post top luminaires. Typical area lighting applications include retail centers, industrial parks, schools and universities, public transit and airports, office buildings and medical facilities. Mounting heights of 10 to 30 feet can be used based on selected luminaire application.

**(ACCESSORIES NEED TO PURCHASED SEPARATELY)**

## FEATURES

### FINISH:

Textured architectural bronze powder-coat finish, baked to ensure maximum paint adhesion, hardness and durability.

### ANCHOR BOLTS:

Anchor bolts are not included, sized based on pole data charts for the selected pole size.

### POLE LENGTH:

Poles are available in standard lengths as shown in the order matrix. Poles can be custom cut to order. Consult factory.

### SURFACE TREATMENT:

Hot-dip galvanizing.

**Note:** When using Arm Mounts, additional installation parts may be required to ensure proper installation. (example: with Slip-fitter a bullhorn will be the option) [see: additional installation parts for more options](#)

**TOP MOUNT:** Installing ARM (optional) will need to take-off the Tenon standard package and put rain cover on top.

**SPECIFICATIONS:** Conforms to ASTM-A 500 Grade B: Minimum Yield Strength of 46,000 PSI.

SPECIFICATION	10FT	15FT	20FT	25FT	30FT
CL-RDB10FT4-11G-D					
CL-RDB15FT4-11G-D	L = 3.0 (m)	L = 4.6 (m)	L = 6.1 (m)	L = 7.6 (m)	L = 9.1 (m)
CL-RDB20FT4-11G-D	(GROUND HEIGHT)	(GROUND HEIGHT)	(GROUND HEIGHT)	(GROUND HEIGHT)	(GROUND HEIGHT)
CL-RDB25FT4-11G-D					
CL-RDB30FT5-11G-D					

## DIRECT UNDERGROUND BURIAL:



**BLACK ASPHALTUM:** Black Asphaltum is an economical, highly protective, acid and alkali-resistant coating designed for Direct burial Light Pole use.

This protective coating is applied on either galvanized or powder-coated products to add a supplemental layer of corrosion protection. This combination of galvanizing and/or powder coating coupled with black Asphaltum provides the best below-grade corrosion resistance in the Light Pole industry.

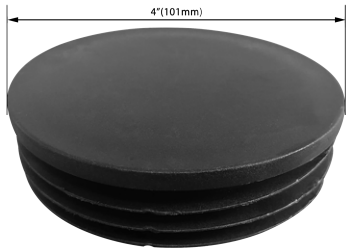
### ADVANTAGE:

- Rust proofing properties
- Superior resistance to acids and alkali
- Outstanding adhesion and wear resistance

# Direct Burial Straight Round Steel Poles

Size: 4" , 5"

## DIMENSION (Standard Fittings)



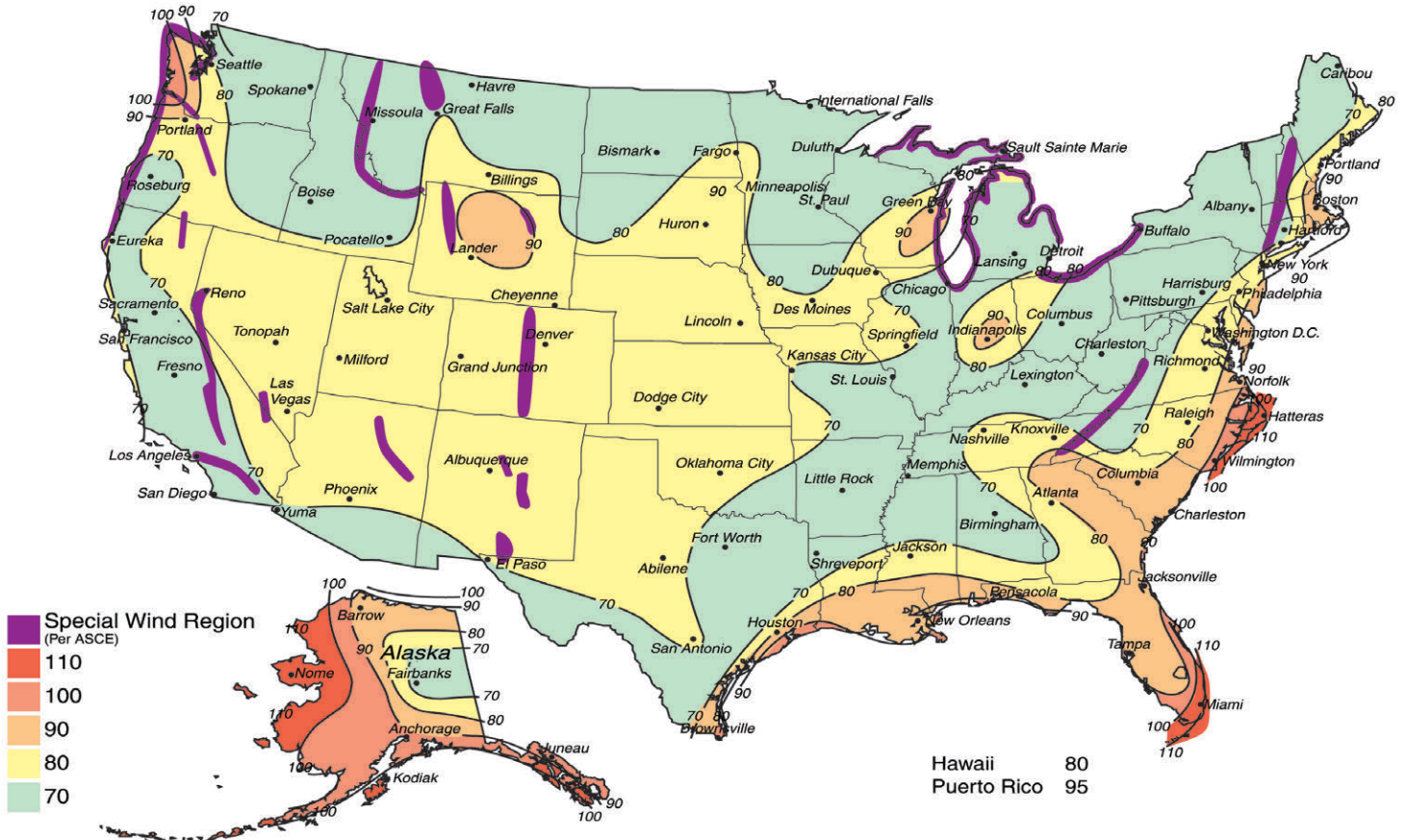
4 foot light pole to use



5 foot light pole to use

## DIMENSION DATA

CATALOG	GROUND HEIGHT	GAUGE	SIZE (φ)	SUBSURFACE DEPTH	WEIGHT (LBS)	EPA 70	EPA 80	EPA 90	EPA 100	EPA 110	EPA 120	EPA 130	EPA 140
CL-RDB10FT4-11G-D	10ft	11	4"	3 ft	74.8	28.2	23.5	20.3	19.4	17.3	15.6	12.3	9.8
CL-RDB15FT4-11G-D	15ft				99	18.2	15.5	13.1	11.5	9.9	7.4	5.2	3.8
CL-RDB20FT4-11G-D	20ft			132	12.2	10.3	8.8	7.2	6.1	4.6	2.2	1.0	
CL-RDB25FT4-11G-D	25ft			154	11.9	8.9	7.7	6.1	5.6	4.2	1.1	0.5	
CL-RDB30FT5-11G-D	30ft		5"	5 ft	231	9.6	7.6	6.1	5.8	4.8	3.3	2.5	1.1



# Direct Burial Straight Round Steel Poles

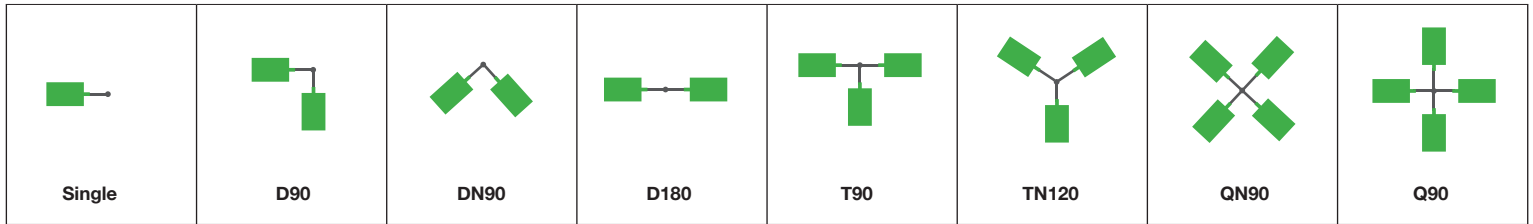
Size: 4" , 5"

## ORDERING INFORMATION

EXAMPLE: **CL-RDB10FT4-11G-D**

CL	RDB	10FT	4	11G	D
COMPANY	PRODUCT	GROUND HEIGHT	SIZE	THICKNESS	FINISH
	Direct Burial Straight Round Steel poles	10FT - (3.0 M) 15FT - (4.6 M) 20FT - (6.1 M) 25FT - (7.6 M) 30FT - (9.1 M)	4 - (4" x 4") 5 - (5" x 5")	11G - (11 gauge)	D - (Dark Bronze)

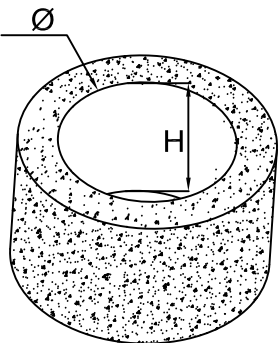
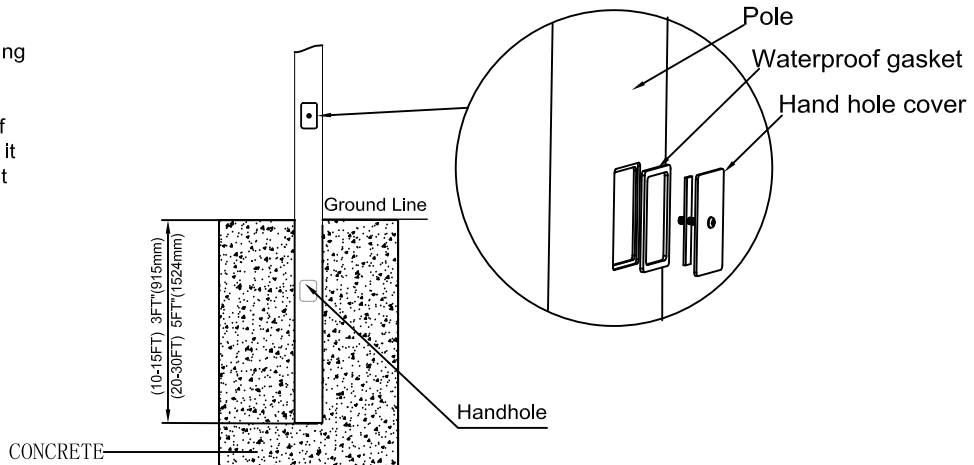
## FIXTURE CONFIGURATIONS



## INSTALLATION

### Installation Guide

Step 1. After digging the corresponding size foundation hole by pressing the table at the location of the light pole installation, put the embedded end of the light pole into the hole, and keep it perpendicular to the ground, and fix it with concrete casting.



Reference design of Concrete size		
Specifications	Ø	H
10-15FT	31.5"(800mm)	59.1"(1500mm)
20-30FT	35.4"(900mm)	82.7"(2100mm)

**Foundation Design:** We offer Foundation design references due to variations in soil structure across different areas, and we do not assume any responsibility for this variability.