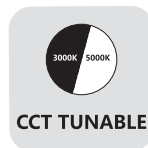
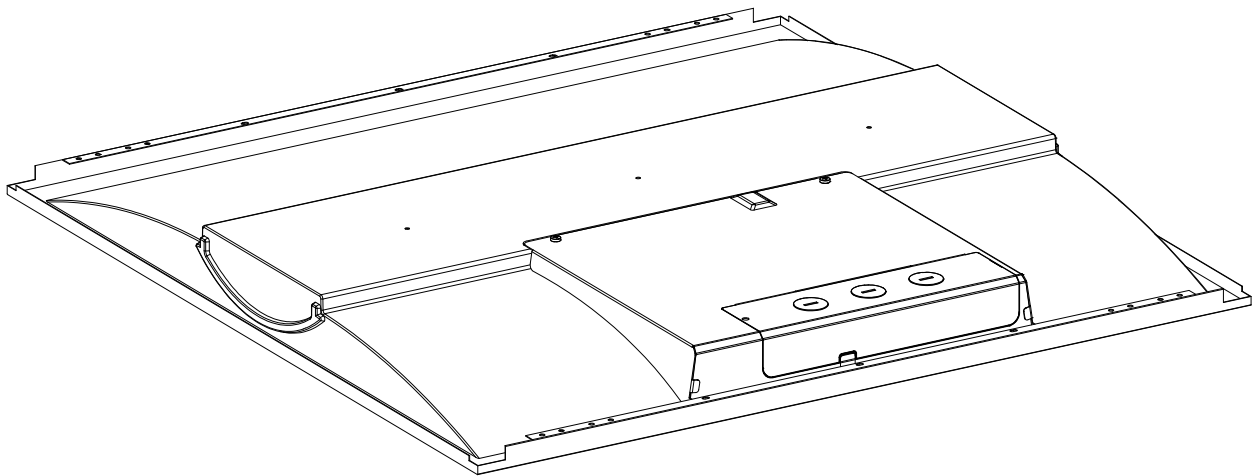
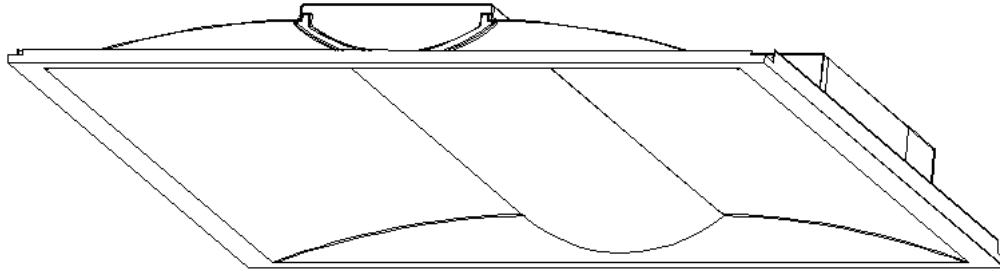


# Power and CCT Tunable LED Troffer Light

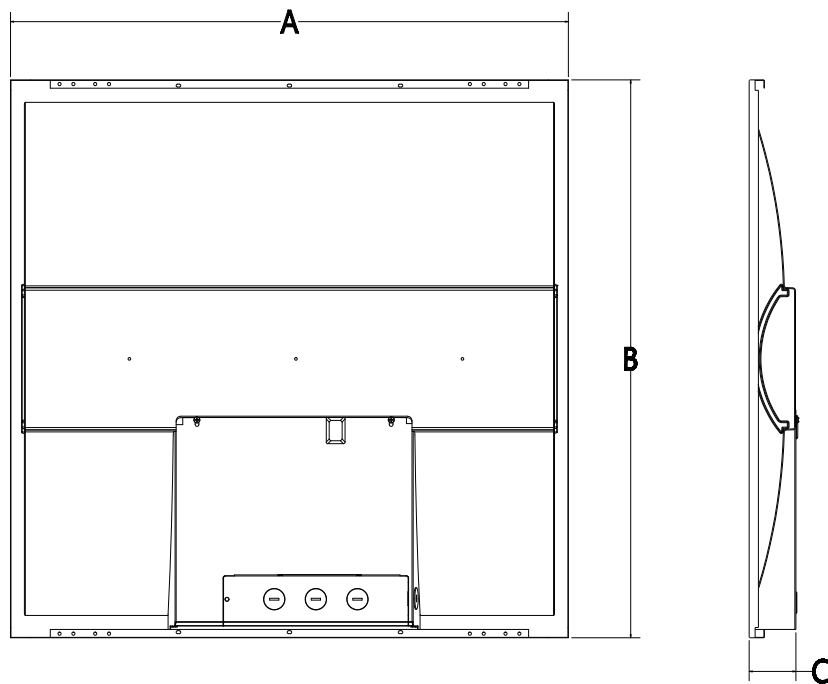
## Product Appearance



# Product Features

- 1. DIP Switch: 3 different Power and 3500K-4000K-5000K CCT tunable.
- 2. Smooth and comfortable light.
- 3. High lighting efficiency:> 130lm/W.
- 4. Ra>80, PF>0.95, THD<15%.
- 5. White Metal body, ensures durable quality and efficient heat dissipation.
- 6. High-quality 0-10V dimming isolated driver. High driver efficiency:>90%.
- 7. Smart options for bi-level dimming, motion sensor and emergency functions.
- 8. Convenient access to retrofit. Ideal for office, retail and other architectural spaces.
- 9. ETL and DLC 5.1 certified.
- 10. Five years' warranty.

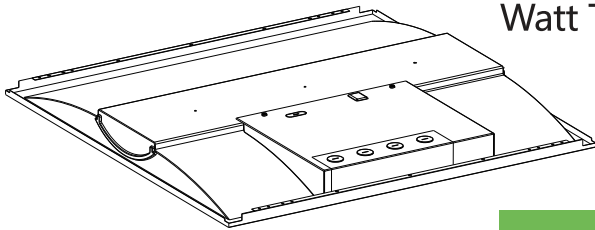
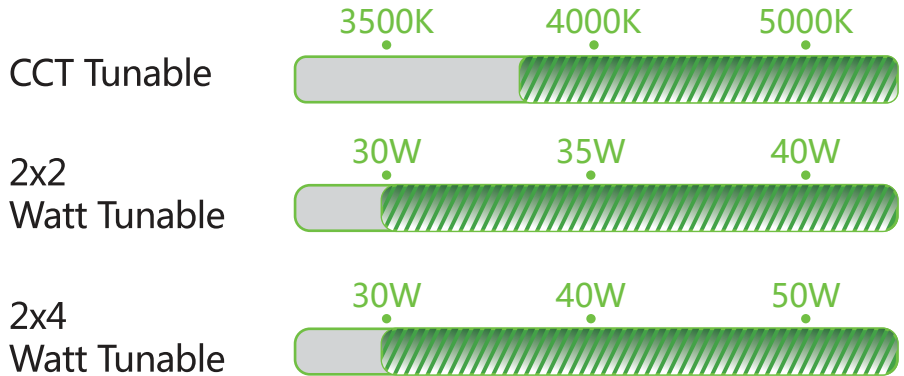
# Product Dimension



size	Mode	A (inch)(mm)	B (inch)(mm)	C (inch)(mm)
2x2FT	TTR-22-40W-L-H	23.74" (603mm)	23.74" (603mm)	1.97" (50mm)
2x4FT	TTR-24-50W-L-H	47.76" (1213mm)	23.74" (603mm)	1.97" (50mm)

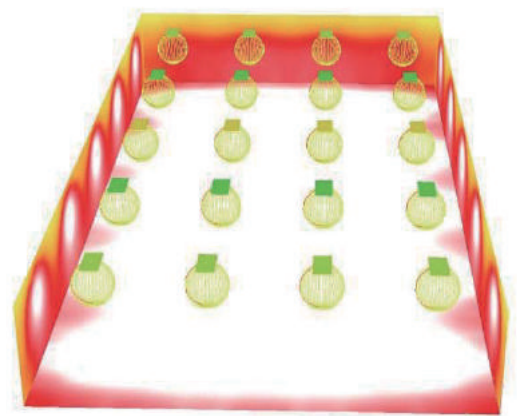
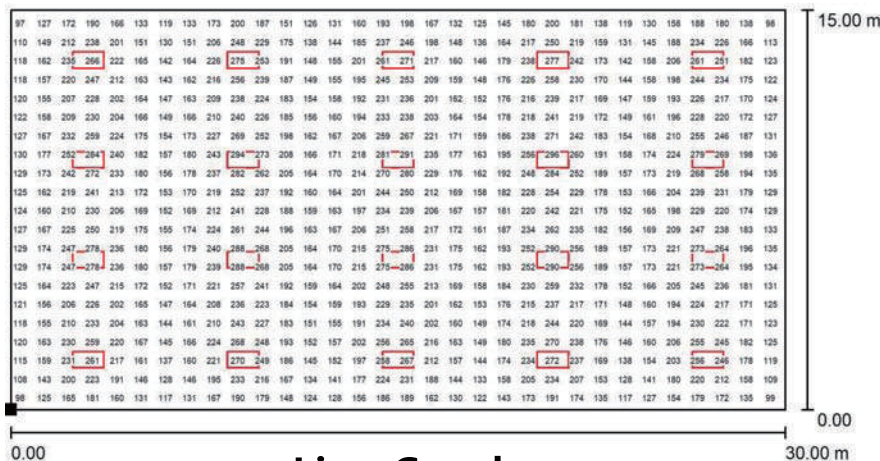
# Specification

Mode	Power	Input Voltage	Dimmable	Input Current	PF	Light Efficacy	Ra	CCT
TTR-22-40W-L-H	30-35-40W	AC100-277	0-10V	0.4A	>0.9	130lm/w	80	3500K-4000K-5000K
TTR-24-50W-L-H	30-40-50W	AC100-277V	0-10V	0.5A	>0.9	130lm/w	80	3500K-4000K-5000K



- 30W 3500K
- 30W 4000K
- 30W 5000K
- 35W 3500K
- 35W 4000K
- 35W 5000K
- 40W 3500K
- 40W 4000K
- 40W 5000K
- 50W 3500K
- 50W 4000K
- 50W 5000K

# Simulation chart

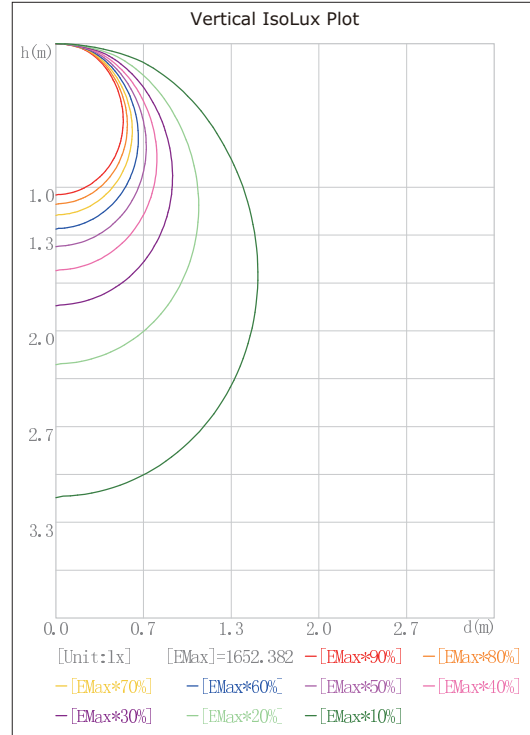
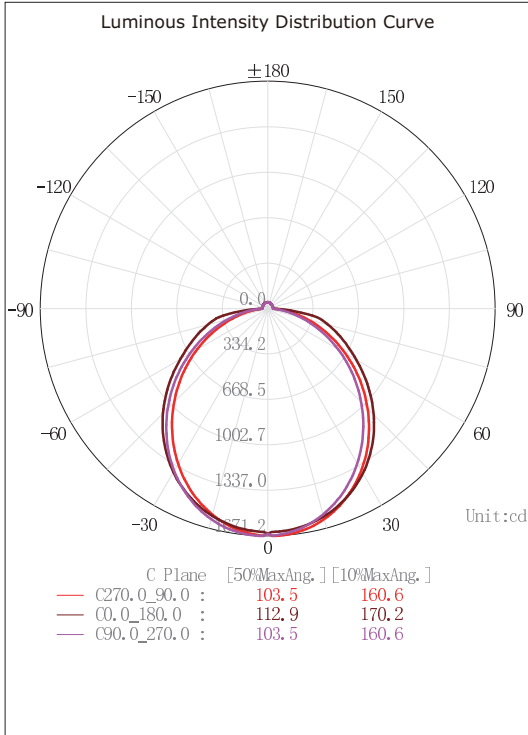


Line Graph

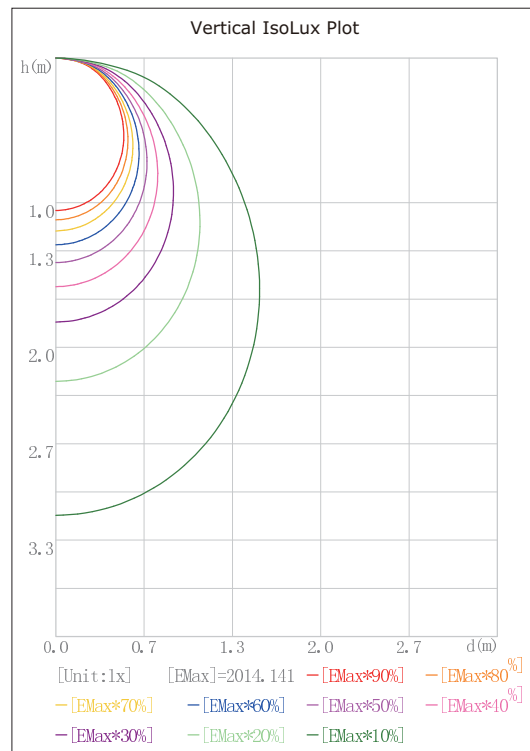
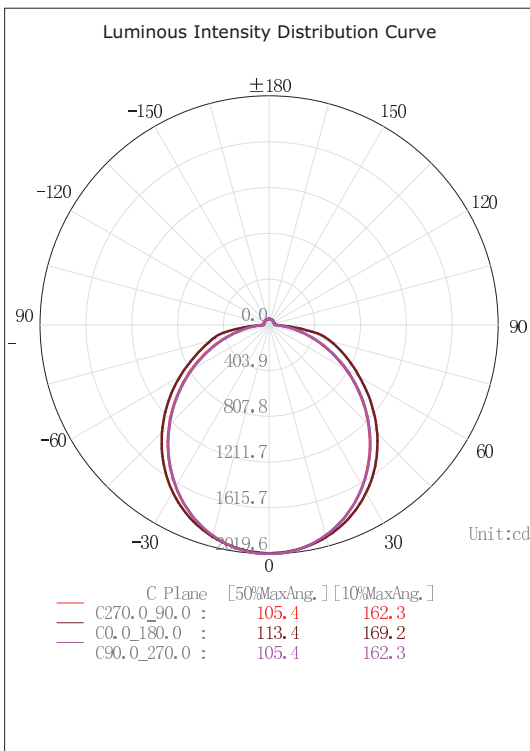
Thermal Imaging

# Testing Report

## 2X2 LUMINOUS INTENSITY DISTRIBUTION DIAGRAM



## 2X4 LUMINOUS INTENSITY DISTRIBUTION DIAGRAM



# Installation

## LED Troffer Light installation instruction

1. Products received by customer.

Screws & Caps

2. Connect the driver to PCB.

Connect the terminals

3. Screw up the driver cover to the housing.

2. Tear off the protective film  
insert the PC lens into the housing.

3. open the power supply cover,  
adjust dip switch to the required power  
connect the wires and lock  
the power supply cover  
(0-10V CCT&Watts adjustable isolated-driver)

dim- (gray)  
dim+ (purple)

Switch 1    Switch 2

Watt Tunbale: Switch 1  
3 different power:  
2\*2 : 30W 35W 40W  
2\*4 : 30W 40W 50W

CCT Tunbale Switch 2=  
3500K 4000K 5000K

L (black)  
N (white)  
ground wire (green)

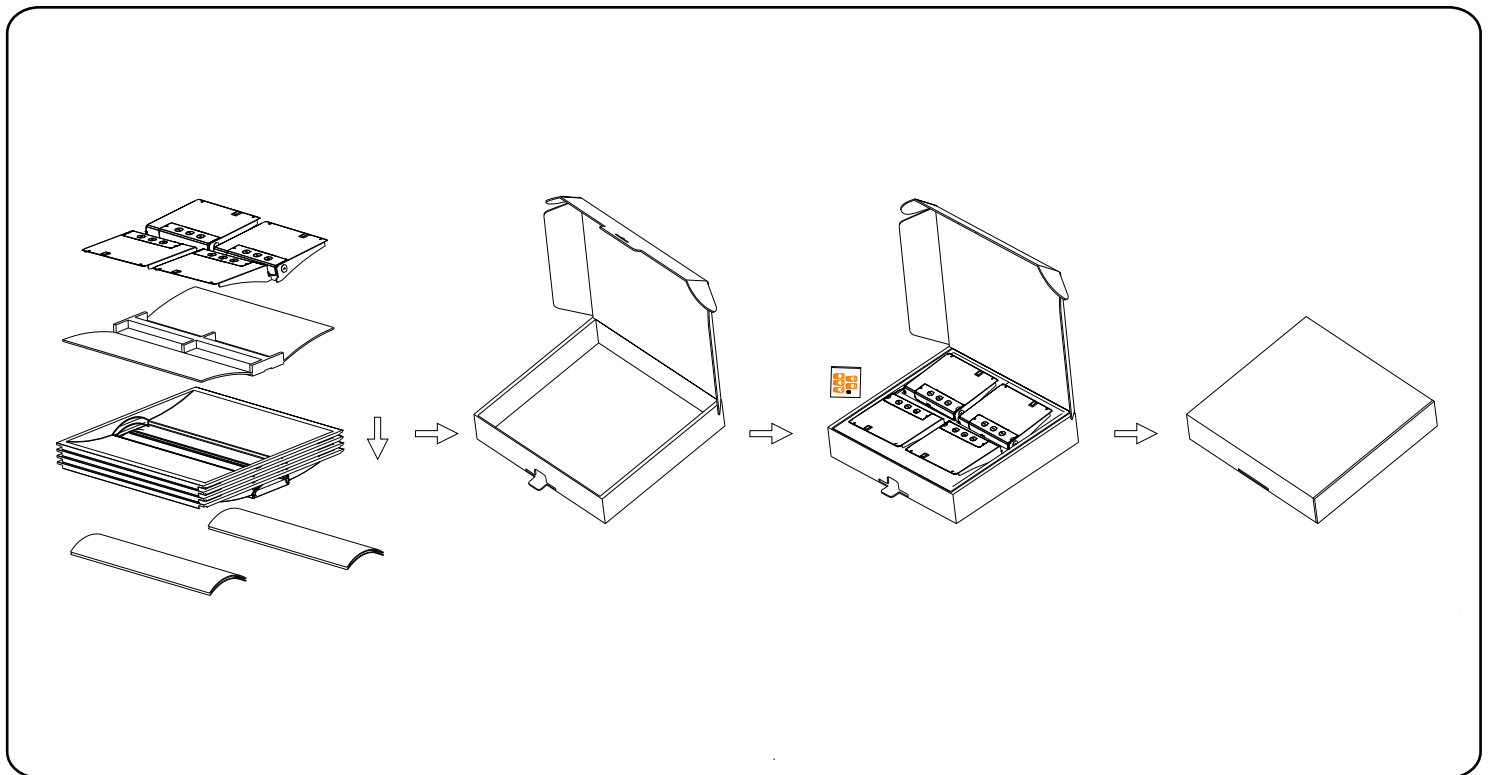
4. Fixed wire hose on the troffer,  
Then installation is completed.

wire hose fixed box

# Packing /weight

Part NO.	Outer Carton Size (LxWxH)	Qty/Carton (pcs)	Net weight (kg)(lbs)	Gross weight (kg)(lbs)	20GP (QTY)	40HQ (QTY)
TTR-22-40W-L-H	(645*615*130mm) (25.39x24.21"x5.12")	4PCS	2.6Kg 5.7lbs	11.4Kg 22.88 lbs	2016	5000
TTR-24-50W-L-H	(1255*615*130mm) (49.4"x24.21"x5.12")	4PCS	4.6Kg 10.1lbs	20.0Kg 44.0lbs	1052	2568

# Packing



# Power and CCT Tunable LED Troffer Light



## Note

- 1.The installation and maintenance must be completed by electricians or professionals.
- 2.Please cut off the power before installation and maintenance.
- 3.The fixture is not allowed to be covered by thermally insulating material.
4. Please keep away from the corrosive substance,and keep the fixture dry and clean.
5. Working temperature:-4°F~104°F, storage temperature:-22°F~140°F.