

TP500 series LED Post Top Light



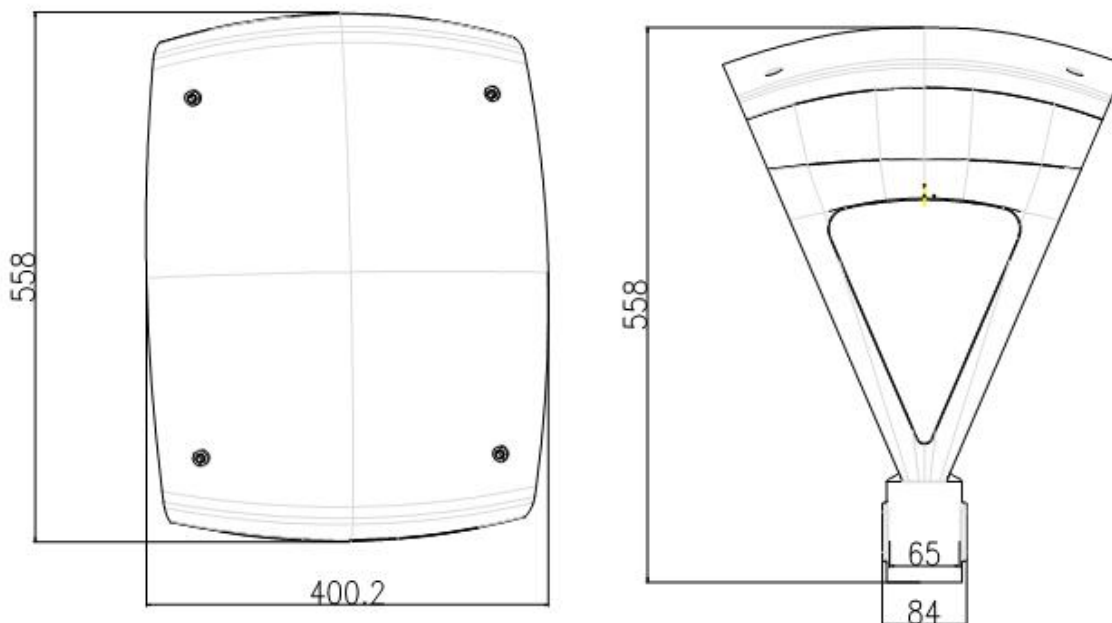
The new TP500 series LED Post Top Light is the fantastic result. This light is a perfect solution for outdoor parking lot and area lighting.

The body of is just so slim. But behind it is the superb system efficiency, heat radiation ability, and though endurance for brutal working environment. The TP500 series is from 35W to 300W, can replace up to 1000W traditional luminaire. Designed with efficiency in mind, the Yaorong LED post top light has a unique funnel heat sink for better heat dissipation, adding to the life of the fixture. Separate LED driver and light source allows for easy installation of the fixture. This fixture is IP65 rated, making it suitable for wet and damp locations.

Advantage:

- ETL cETL DLC FCC CE ROHS certificate
- Philips or Samsung Chip, high CRI
- Meanwell driver or SOSEN driver, Input voltage 120-277Vac or 200-480Vac
- 140/120/90/90*120/90*140/100*140° lens beam angle options
- Optional light-controlled and surge protection function
- No UV or IR in the beam
- Energy saving, Long lifespan
- Light is soft and uniform, Safe to eyes
- Photocell and TVSS can be applied.
- Fishbone style high efficiency heat sink.
- Easy installation and maintenance.
- Avaivable in 35w 50w 100w 150w 200w 300w.

Dimension





ETL report models:

Product	LED Post Top Light				
Brand name					
Description	The product covered by this report is pole mounted light for wet location use, provided with cord for field wiring supply connection.				
Models	<p>YR-TP500-W35-X-Yn, YR-TP500-W50-X-Yn, YR-TP500-W100-X-Yn, YR-TP500-W150-X-Yn, YR-TP500-W200-X-Yn, YR-TP500-W300-X-Yn, YR-TP260-W020-X-Yn-Zn, YR-TP260-W035-X-Yn-Zn, YR-TP325-W50-X-Yn-Zn, YR-TP325-W100-X-Yn-Zn</p> <p>"X" can be "P" or "NP"; "n" can be "1", "2", "3", "4".</p>				
Model Similarity	<p>These products have same electrical construction in each type luminaire, differences among them are size, number of LED, LED driver and input ratings.</p> <p>"X" can be "P" or "NP", "P" represents with Photoelectric Switch, "NP" represents without Photoelectric Switch.</p> <p>"Yn" represents LED driver, "n" can be "1", "2", "3". "1" represents SOSEN driver employed, "2" represents MEAN WELL "HLG" driver employed, "3" represents MEAN WELL "HVG" driver employed;</p> <p>"Zn" represents different Support bracket, "n" can be "1", "2", "3", "4".</p> <p>Z1 stands a regular vertical installation, Z2=AA3/A2A3/B3/C3/D3/E3/F3, Z3=AA4/A2A4, Z4=D4.</p>				
	Model No.	No. of LED	Number of LED PWB	Overall dimension/mm (L X W X H)	Weight of product (kg)
	YR-TP500-W35-X-Y2	60	2	558 X 558 X 400.2	13
	YR-TP500-W35-X-Y1				
	YR-TP500-W50-X-Y1	60	2		
	YR-TP500-W50-X-Y2				
	YR-TP500-W50-X-Y3				
	YR-TP500-W100-X-Y1	120	2		
	YR-TP500-W100-X-Y2				
	YR-TP500-W100-X-Y3				
	YR-TP500-W150-X-Y2	120	2		
	YR-TP500-W150-X-Y3				
	YR-TP500-W200-X-Y2	160	2		
	YR-TP500-W200-X-Y3				
	YR-TP500-W300-X-Y2	160	2		
YR-TP500-W300-X-Y3					
YR-TP260-W020-X-Y1-Z1	30	1	240 X 286.6 X 340.7		
YR-TP260-W035-X-Y1-Z1	30	1			
YR-TP325-W50-X-Y2-Z1	30	1	300 X 351.8 X 436.5	5.8	
YR-TP325-W50-X-Y1-Z1					
YR-TP325-W50-X-Y3-Z1					
YR-TP325-W100-X-Y2-Z1	70	1			
YR-TP325-W100-X-Y1-Z1					
YR-TP325-W100-X-Y3-Z1					



2.0 Product Description					
Ratings	50/60Hz				
	Model No.	Voltage (Vac)	Current (A)	Wattage (W)	LED Driver
	YR-TP500-W35-X-Y2	100-277	0.43	35	HLG-40H-36B
	YR-TP500-W35-X-Y1		0.5		SS-35H-40B
	YR-TP500-W50-X-Y1	100-277	0.7	50	SS-50H-40B
	YR-TP500-W50-X-Y2		0.64		HLG-60H-42B
	YR-TP500-W50-X-Y3	200-480	0.39		HVG-65-42B
	YR-TP500-W100-X-Y1	100-277	1.6	100	SS-120H-36B
	YR-TP500-W100-X-Y2		1.4		HLG-120H-42B
	YR-TP500-W100-X-Y3	200-480	0.5		HVG-150-48B
	YR-TP500-W150-X-Y2	100-277	2.1	150	HLG-185H-48B
	YR-TP500-W150-X-Y3	200-480	0.88		HVG-150-42B
	YR-TP500-W200-X-Y2	100-277	4	200	HLG-240H-48B
	YR-TP500-W200-X-Y3	200-480	0.8		HVG-240-48B
	YR-TP500-W300-X-Y2	100-277	4.2	300	HLG-185H-48B*2
	YR-TP500-W300-X-Y3	200-480	0.5		HVG-150-42B*2
	YR-TP260-W020-X-Y1-Z1	100-277	0.5	20	SS-35H-40B
	YR-TP260-W035-X-Y1-Z1	100-277	0.5	35	SS-35H-40B
	YR-TP325-W50-X-Y2-Z1	100-277	0.64	50	HLG-60H-42B
	YR-TP325-W50-X-Y1-Z1		0.7		SS-50H-40B
YR-TP325-W50-X-Y3-Z1	200-480	0.22		HVG-65-42B	
YR-TP325-W100-X-Y2-Z1	100-277	1.4	100	HLG-120H-42B	
YR-TP325-W100-X-Y1-Z1		1.6		SS-120H-36B	
YR-TP325-W100-X-Y3-Z1	200-480	0.5		HVG-150-48B	
Other Ratings	NA				

Application :

It is mainly designed for car parking lots, plaza lighting, outdoor sports etc, with accurate light distribution design, they have very good uniformity to meet flood lighting requirements for these applications.

Technical Characteristic

Color temperature	3000K , 3500K	4000K , 4500K	5000K
CRI	>70		
LED chip	Philips or Samsung		
Lumen Efficacy	110-115 LM/W		
Input Power	35W, 50W, 100W, 150W, 200W, 300W		
Viewing Angle	100*140/90*140/90*120/85*135/90/120 Degree		
Input Voltage	120-277Vac 50/60Hz or 200-480V		
Driver model	Meanwell Driver or Sosen Driver		
PFC	>0.9		
Waterproof Rating	IP65		

Materials

Operating Temperature	-40°C TO 45°C
Operating Humidity	20%-90% RH
Storage Temperature	-30°C TO 80°C
Storage Humidity	10%-95%
Application	Outdoor
Safety Certification	ETL, cETL, DLC, CE, ROHS, FCC
Warranty Time	5 Years



Model	CCT	CRI	Luminous Flux	Size (MM)	System Power
YR-TP500-W35-X-Yn	3000K/4000K/5000K /6000K/7000K	≥75	110±5%LM/ W	558*400*55 8	35W
YR-TP500-W50-X-Yn	3000K/4000K/5000K /6000K/7000K	≥75	110±5%LM/ W	558*400*55 8	50W
YR-TP500-W100-X-Yn	3000K/4000K/5000K /6000K/7000K	≥75	110±5%LM/ W	558*400*55 8	100W
Input Voltage: 100-277V or 200V-480V LED CHIP: Philips 3030 or Samsung 3535 LED driver: Meanwell driver or SOSEN driver 1-10V Dimmable					
Working temperature: - 40 ~ + 65°C					

Model	CCT	CRI	Luminous Flux	Size (MM)	System Power
YR-TP500-W150-X-Yn	3000K/4000K/5000K /6000K/7000K	≥75	110±5%LM/ W	558*400*55 8	150W
YR-TP500-W200-X-Yn	3000K/4000K/5000K /6000K/7000K	≥75	110±5%LM/ W	558*400*55 8	200W
YR-TP500-W300-X-Yn	3000K/4000K/5000K /6000K/7000K	≥75	110±5%LM/ W	558*400*55 8	300W
Input Voltage: 100-277V or 200V-480V LED CHIP: Philips 3030 or Samsung 351B LED driver: Meanwell driver or SOSEN driver 1-10V Dimmable					
Working temperature: - 40 ~ + 65°C					



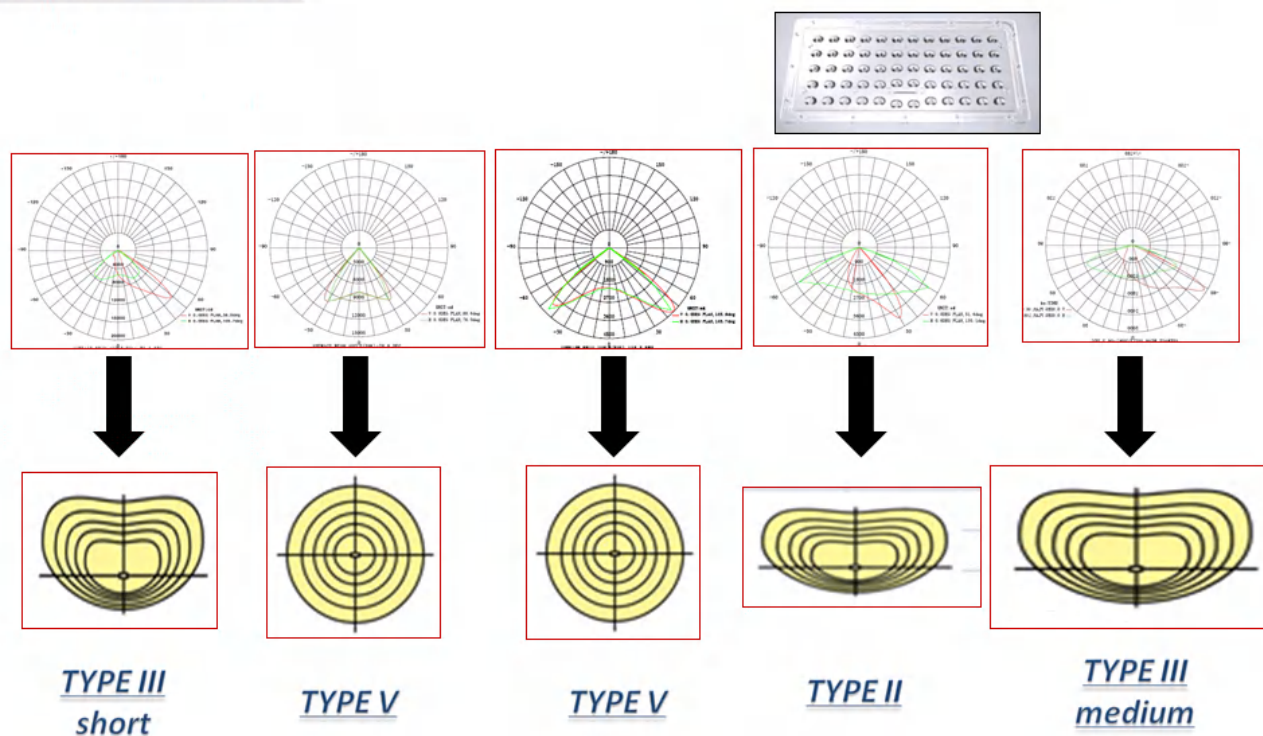
LED post top light:

Efficient, Customizable, and aesthetically modern, this fixture is one of the most popular products we've offered to date. An IP 65 rating makes this Area light reliable, but YaoRong takes the extra step to offer custom options you can really enjoy. This series offers color temperatures ranging from 3000-5000k, light distribution options, and add on's like photocells & surge protectors. it can be applied to areas like garden, road ways, and parking lots.

Lighting distribution Options
Heavy Duty Slim Design
High Performance LEDs
Meanwell Driver with Long Life Span
Effective Thermal Management
Dark Bronze , black or White Finish

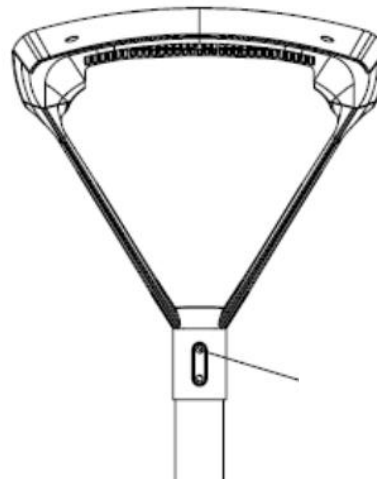
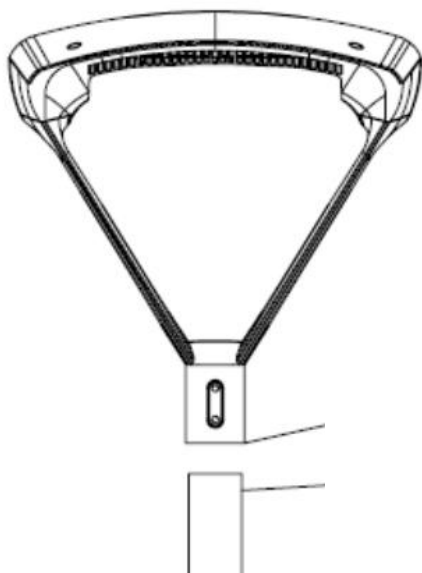
Lighting distribution advantage :

5 kinds of light distribution curve, Including TYPEII TYPEIII (Short, Medium) TYPEV



Installation Instruction:

Round Pole Diameter 76MM



1 . The Pole's and the Bracket Diameter is 60MM

2 Tighten the M8 screws.



Dimmable cable
Blue is "+"
White is "-"



Brown for L

Blue for N

Yellow&Green for G

3 Connect the power lines.



A



B



C

Adapter



D



E



Installation Caution

- 1、 Make sure the power has been turned off before maintenance.
- 2、 Clean the lens cover regularly to maintain high transmission of light.
- 3、 Clean up the dust from the reflector and heat sink regularly to keep sound heat dispersion.
- 4、 Be careful not to use water or corrosive solution for cleaning, preferably with a dry cloth.
- 5、 When install or replace power supply, directly open the back cover with a screwdriver, then remove the power supply. There are three-core cable of AC power, red corresponds to the power of “L”, blue to “N”, and green or yellow to “G”.