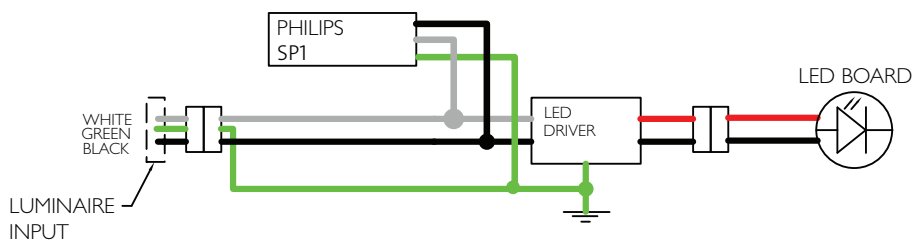


SP1

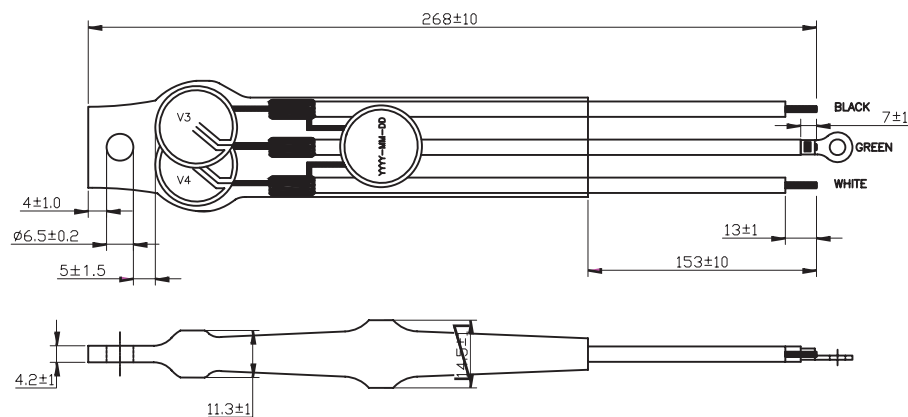
PHILIPS

Surge Protection Device

Adapted to SSL outdoor lighting, the Philips SP1 surge protection device provides single phase protection for line/neutral, line/ground and neutral/ground in accordance with **IEEE C62.41 2002 C High**. The SP1 small size corresponds to the current design requirements for the new technology luminaires, like a LED light engine in outdoor lighting.



Voltage Input:	120V-277V (+/- 5%)
Frequency:	50Hz-60Hz
Clamping Voltage:	320V
Maximum Energy:	430 Joules
Maximum Peak Current:	10kA (8/20μs standard wave)
Wiring:	14 Gauges stranded wires, 105°C, 600V
Wire Connections:	Black and white: 12mm skinned and thin plated Green: 12mm skinned with terminal malt
Mounting hole:	5.5mm



UNLESS OTHERWISE SPECIFIED
DIMENSIONS ARE IN MILLIMETER (mm)

RoHS