

PL322

GEN Slim LED Area Light

50W / 100W / 150W / 200W / 240W / 300W



Specifications

Input Power	50W / 100W / 150W / 200W / 240W / 300W
LED Chip	HongLi 2835
Driver Brand	Meanwell / SOSEN
Lumen	6500LM / 10400LM / 13000LM / 19500 LM / 26000LM / 31200LM / 39000LM
Input voltage	AC100-277V 50/60Hz
Lumen Efficacy	130LM/W
PF	>0.9
Color Temperture	2700K-6500K
CRI	70/80
THD	≤20%
Housing Color	Bronze / Black / Silver / White
Waterproof Rating	(WET) IP65
Operating Temperature	-40°C to +45°C(-40°F to +113°F)
Operating Humidity	10%-90% RH
Storage Temperature	-20 C TO +60 C
Storage Humidity	10%-90% RH
Warranty Time	5years

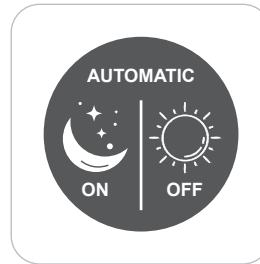
Features



Power Select



Motion sensor

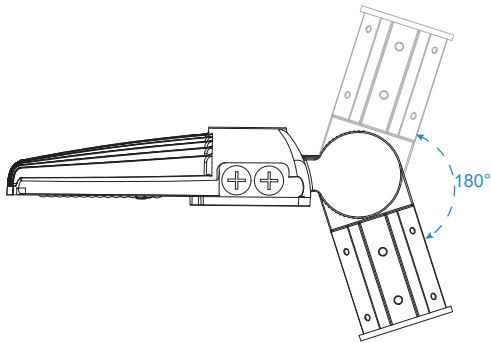


Photocell sensor

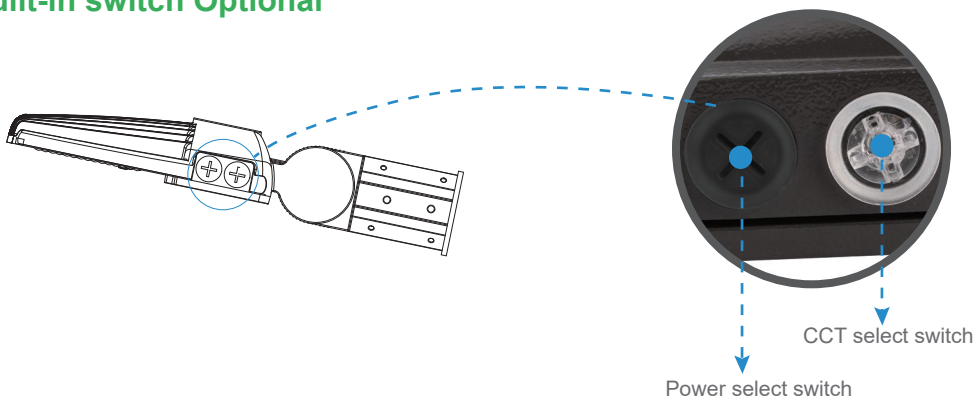


ADC12 Die casting

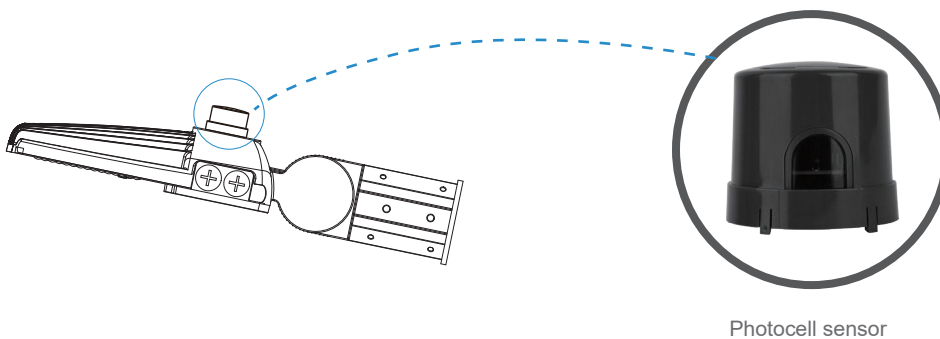
Bracket Angel 180° Adjustable



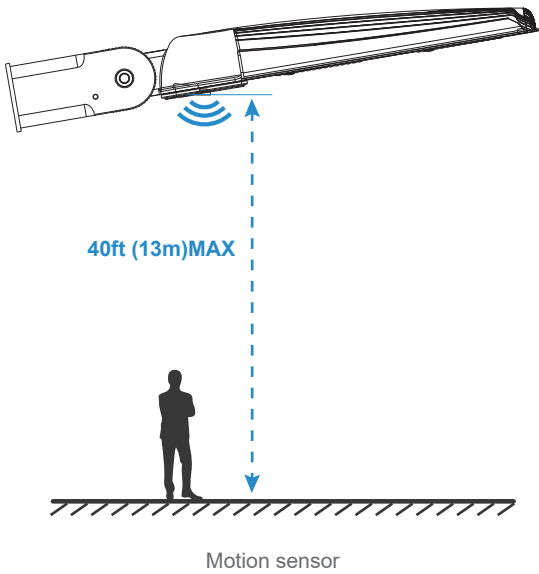
Built-in switch Optional



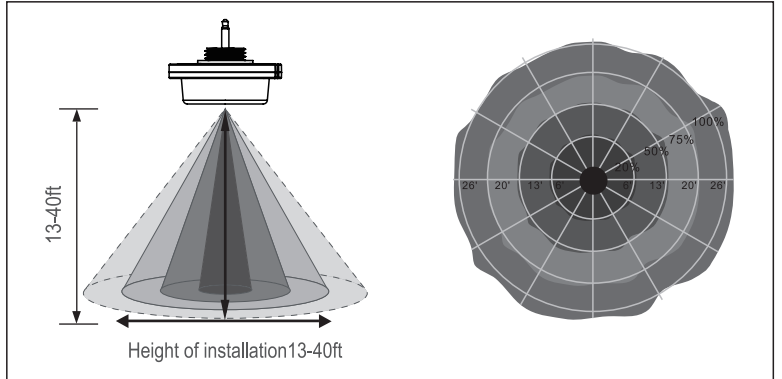
Twist Lock Photocell Sensor



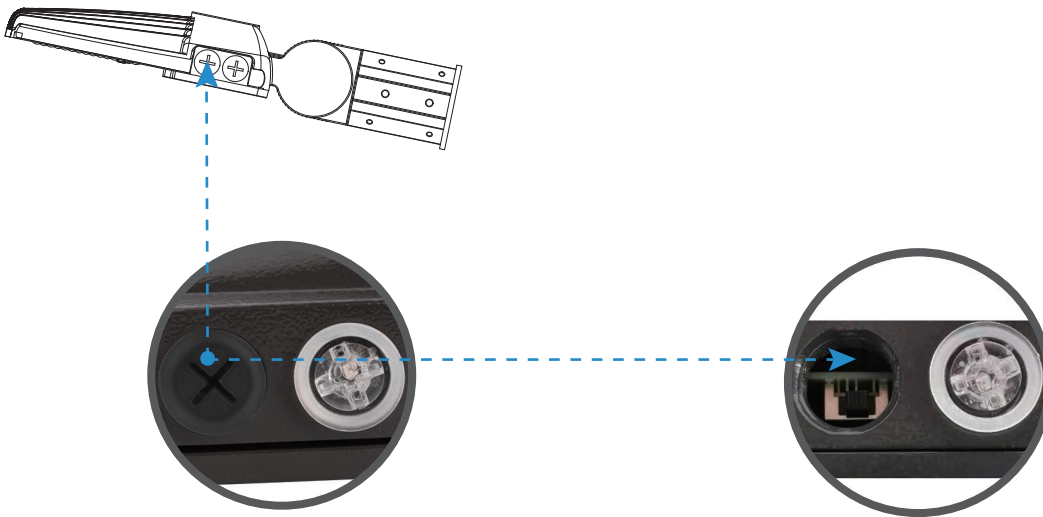
Bi-level Microwave Sensor Optional



SENSOR COVERAGE



DIP switch design, three wattages can be selected



DIP Switch

100W	120W	150W
1	2	3
200W	240W	300W
1	2	3

Compatible With Different Mount Brackets

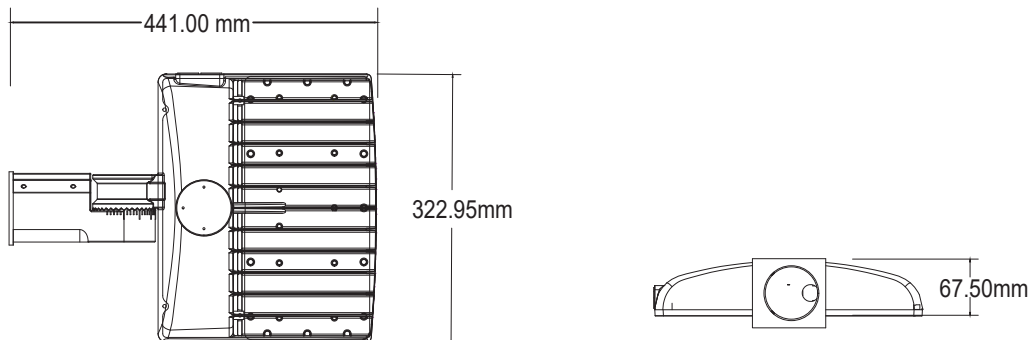


Applications

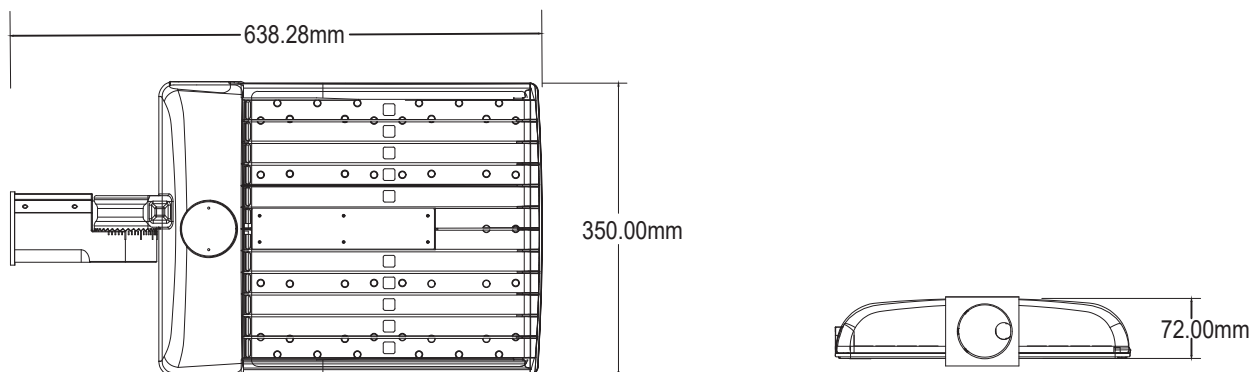


Dimension Drawings

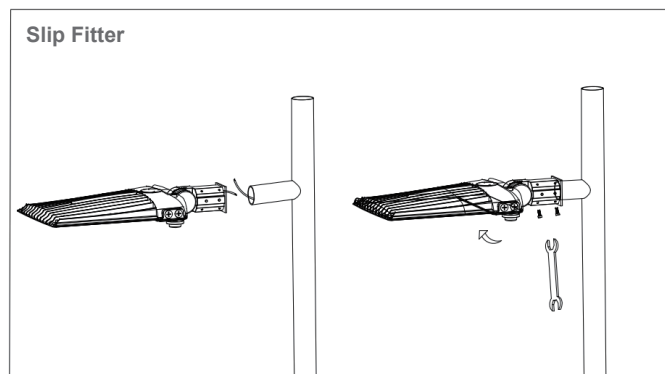
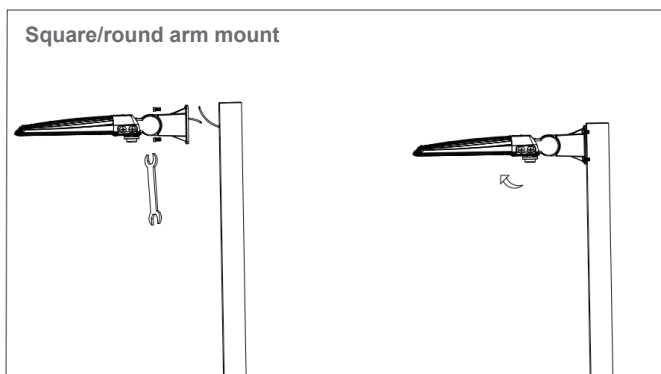
Dimension 1: (50W~150W)

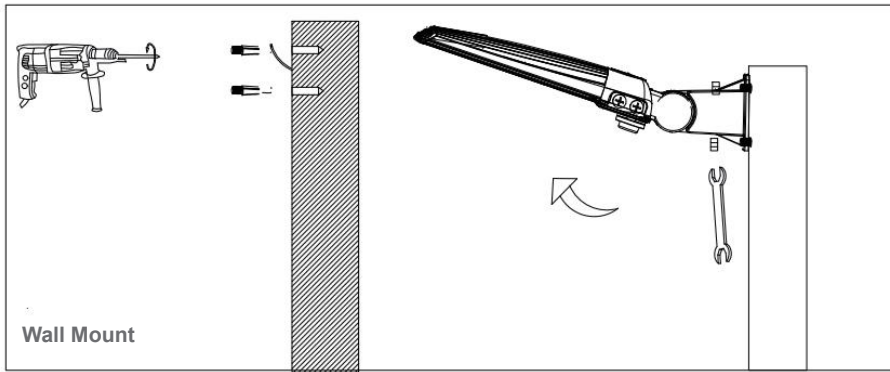


Dimension 2: (200W~300W)



Installation

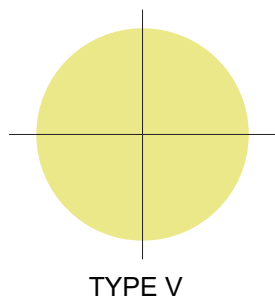
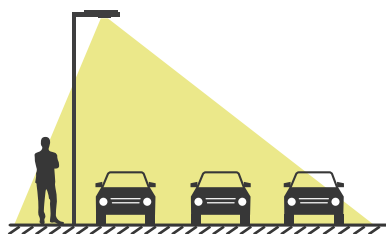
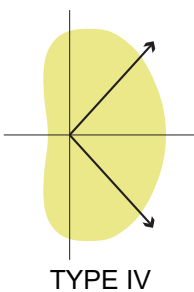
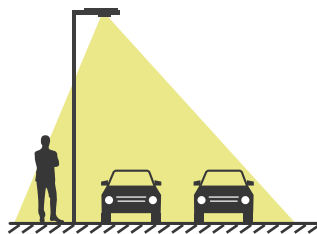
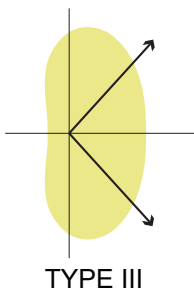




Options For Optic Lens

Type III ,Type IV ,Type V and flood lens optional

Lens Ordering Matrix



Lens Distribution

T5

- T3 = Type III (90°X 140°)
- T4 = Type IV (100° X 140°)
- T5 = Type V (120°)
- 60 = *Flood (60°)
- 30 = *Flood (30°)

Flood Light Lens contain a Type V lighting distribution; typically used in applications with low mounting heights.

LENS QUANTITY PER FIXTURE

QTY: 1 for 50W / 80W QTY: 1 for 100W / 150W
 QTY: 2 for 200W / 240W QTY: 2 for 300W

Packaging information

Wattage	Product Size(mm/in)	Package Size(mm/in)	N.W (Kg/lb)	G.W (Kg/Lbs)	QTY
50W	340 x 322 x 77.5 mm 13.39 x 12.68 x 3.05 in	580 x 400 x 130 mm 22.83 x 15.75 x 5.12 in	3.8 Kg(8.38 lb)	4.8kg(10.59lb)	1 PCS
100W	340 x 322 x 77.5 mm 13.39 x 12.68 x 3.05 in	580 x 400 x 130 mm 22.83 x 15.75 x 5.12 in	3.8 Kg(8.38 lb)	4.8kg(10.59lb)	1 PCS
150W	340 x 322 x 77.5 mm 13.39 x 12.68 x 3.05 in	580 x 400 x 130 mm 22.83 x 15.75 x 5.12 in	3.8 Kg(8.38 lb)	4.8kg(10.59lb)	1 PCS
200W	538 x 354 x 72 mm 21.18 x 13.94 x 2.83 in	610 x 410 x 130 mm 24.02 x 16.14 x 5.12 in	5.2 Kg(11.47lb)	6.7kg(14.78lb)	1 PCS
240W	538 x 354 x 72 mm 21.18 x 13.94 x 2.83 in	610 x 410 x 130 mm 24.02 x 16.14 x 5.12 in	5.2 Kg(11.47lb)	6.7kg(14.78lb)	1 PCS
300W	538 x 354 x 72 mm 21.18 x 13.94 x 2.83 in	610 x 410 x 130 mm 24.02 x 16.14 x 5.12 in	5.2 Kg(11.47lb)	6.7kg(14.78lb)	1 PCS

