



## LED TEMPORARY WORK LIGHT

Outstanding lighting quality  
 Convenient & professional  
 No fan Passive cooling solution  
 360 degree Beam Angle lighting  
 Link up to 7 units (Max 600 Watts)  
 Energy saving, long lifespan

### Features

80-100-125-150W available  
 140-150LM/W SMD2835 Chips  
 100-277VAC 50~60Hz

ETL Approved  
 Operating temperature: -40~50 C  
 long lifespan 50000 H  
 360 degree Beam Angle  
 6KV high voltage surge protection  
 Color temperature: 4000K 5000k 5700K

Efficient heat dissipation  
 Plug-n-Play design  
 IR control function available (Customized)  
 Suitable for dry and damp locations  
 Hollow heatsink increase air flow  
 No magnetic disturbance driver design  
 5 years warranty

### Applications

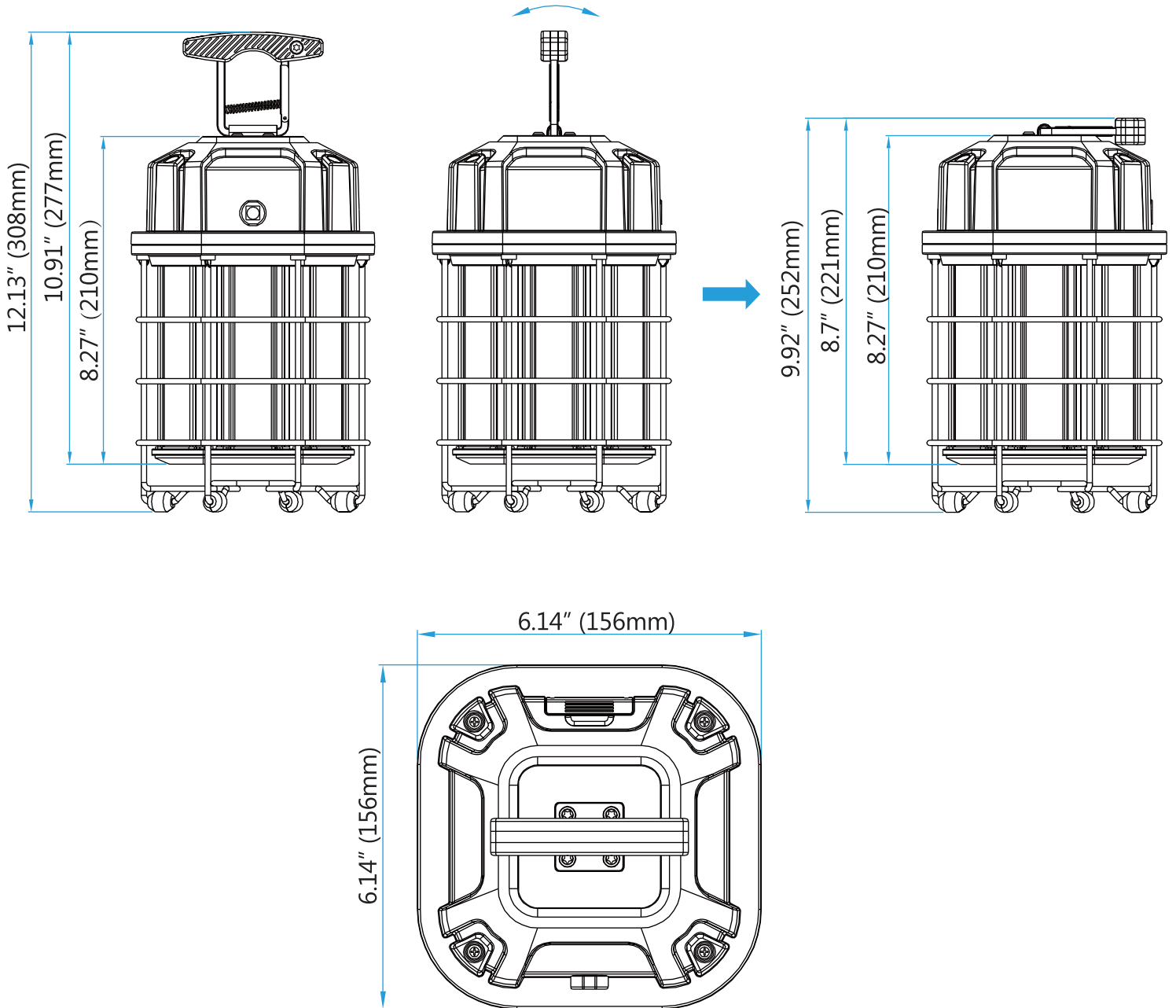
LED Temporary Work Light series can be widely used in warehouses, wharf, factories and workshops, highway toll stations, gas stations, mine, etc.



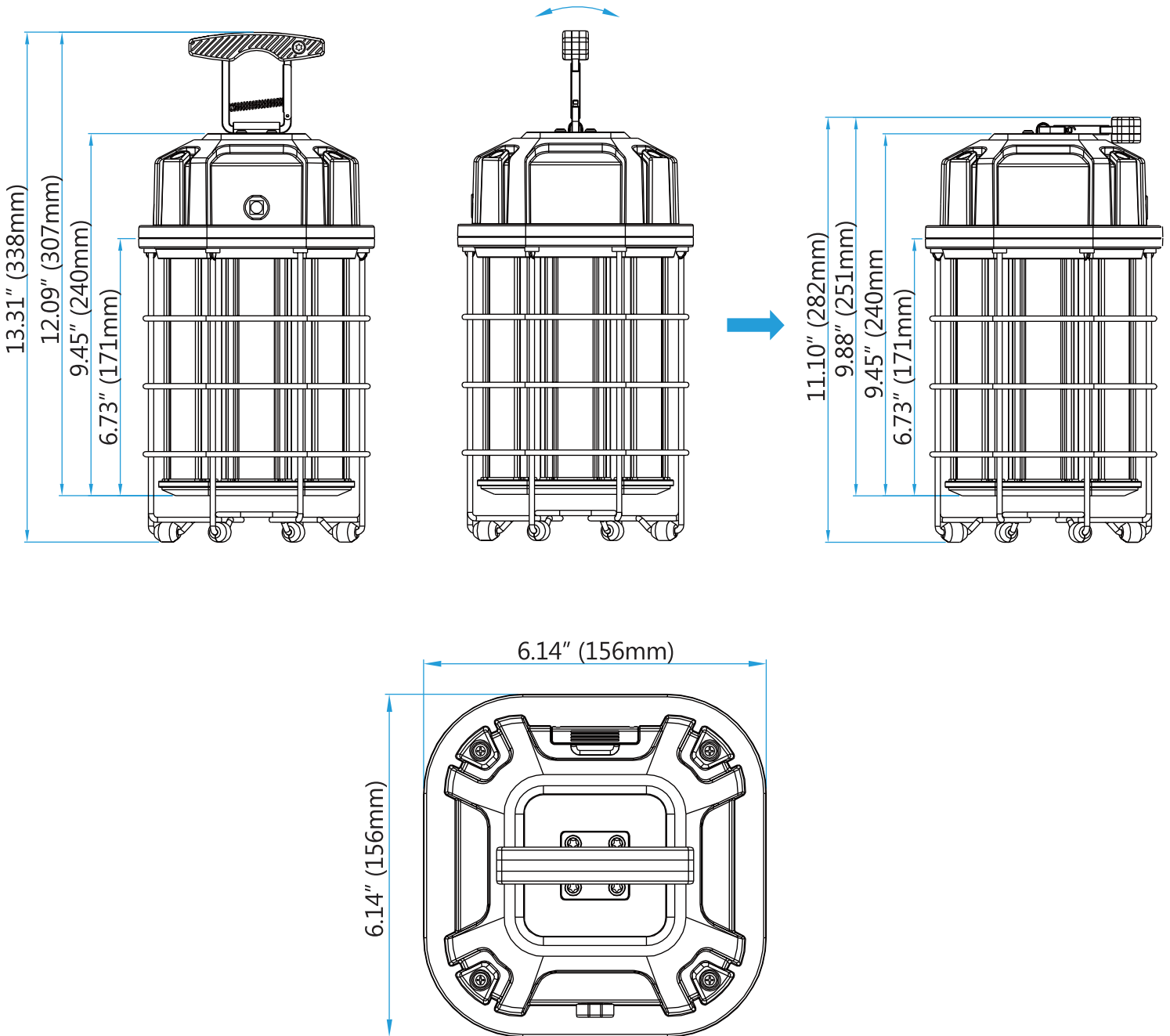
Series	Lumens	Base	Beam Angle (Degree)	Electrical Data	LED Type	Color temperature	Color rendering index
TWX-80W	11360LM	3 pin wires	360 degree	Input Voltage 100-277V 50~60Hz Power Factor(%) >90	SMD2835 chips	WW 2800~3000 K NW 4000~4500 K DW 5000~5500 K CW 6000~6500 K	80 80 CRI
TWX-100W	14100LM	3 pin wires					
TWX-125W	17875LM	3 pin wires					
TWX-150W	21150LM	3 pin wires					

Where "X" can be Y or G, where Y represents color is Yellow, G represents color is Gray.

80W, 100W

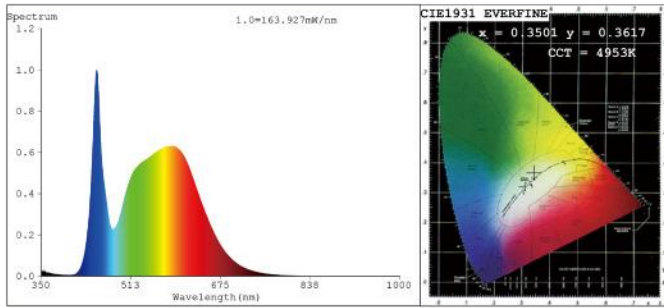


125W, 150W



IES REPORT

80W



Color Parameters:

Chromaticity Coordinate:  $x=0.3501$   $y=0.3617$   $u'=0.2109$   $v'=0.4902$   
 CCT=4953K (Duv=0.0030) Dominant WL:Ld =571.8nm WL:Lc = --nm Purity=13.6%  
 Ratio:R=15.9% G=79.9% B=4.2% Peak WL:Lp=450.5nm FWHM=20.8nm  
 Render Index:Ra=82.3 AvgR=74.8 TM30:Rf=83 Rg=95

R1 =80 R2 =87 R3 =93 R4 =82 R5 =80 R6 =82 R7 =88  
 R8 =67 R9 =5 R10=70 R11=80 R12=56 R13=82 R14=96 R15=74

Photo Parameters:

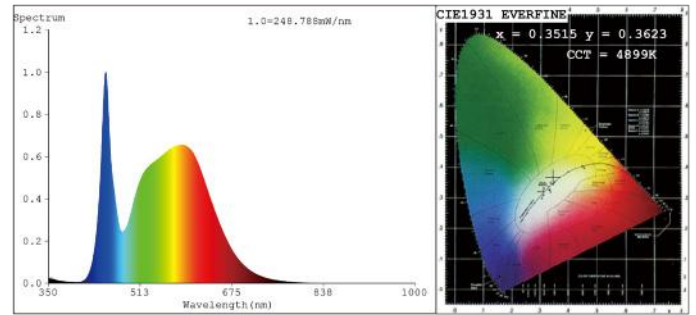
Flux=10620.7 lm Eff.:140.3 lm/W Fe = 20.11 W

Electrical parameters:

V = 120.08 V I = 0.6346 A P = 75.70 W PF = 0.9934  
 LEVEL:OUT WHITE:ANSI\_5000K

Status: Integral T = 82 ms Ip = 35064 (54%)

100W



Color Parameters:

Chromaticity Coordinate:  $x=0.3515$   $y=0.3623$   $u'=0.2116$   $v'=0.4907$   
 CCT=4899K (Duv=0.0028) Dominant WL:Ld =572.5nm WL:Lc = --nm Purity=14.2%  
 Ratio:R=16.0% G=79.7% B=4.3% Peak WL:Lp=451.8nm FWHM=21.9nm  
 Render Index:Ra=82.5 AvgR=75.1 TM30:Rf=83 Rg=95

R1 =80 R2 =88 R3 =93 R4 =81 R5 =80 R6 =83 R7 =88  
 R8 =66 R9 =6 R10=71 R11=80 R12=56 R13=82 R14=96 R15=75

Photo Parameters:

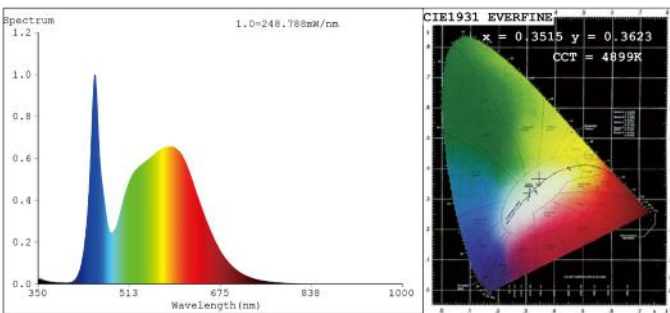
Flux = 16367.6 lm Eff. : 141.1 lm/W Fe = 31.57 W

Electrical parameters:

V = 119.94 V I = 0.9701 A P = 116.0 W PF = 0.9969  
 LEVEL:OUT WHITE:ANSI\_5000K

Status: Integral T = 82 ms Ip = 53755 (82%)

125W



Color Parameters:

Chromaticity Coordinate:  $x=0.3515$   $y=0.3623$   $u'=0.2116$   $v'=0.4907$   
 CCT=4899K (Duv=0.0028) Dominant WL:Ld =572.5nm WL:Lc = --nm Purity=14.2%  
 Ratio:R=16.0% G=79.7% B=4.3% Peak WL:Lp=451.8nm FWHM=21.9nm  
 Render Index:Ra=82.5 AvgR=75.1 TM30:Rf=83 Rg=95

R1 =80 R2 =88 R3 =93 R4 =81 R5 =80 R6 =83 R7 =88  
 R8 =66 R9 =6 R10=71 R11=80 R12=56 R13=82 R14=96 R15=75

Photo Parameters:

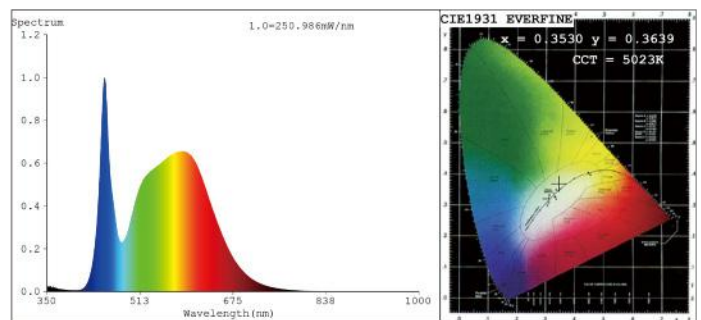
Flux = 16367.6 lm Eff. : 141.1 lm/W Fe = 31.57 W

Electrical parameters:

V = 119.94 V I = 0.9701 A P = 116.0 W PF = 0.9969  
 LEVEL:OUT WHITE:ANSI\_5000K

Status: Integral T = 82 ms Ip = 53755 (82%)

150W



Color Parameters:

Chromaticity Coordinate:  $x=0.3530$   $y=0.3639$   $u'=0.2120$   $v'=0.4917$   
 CCT=5023K (Duv=0.0030) Dominant WL:Ld =572.8nm WL:Lc = --nm Purity=15.1%  
 Ratio:R=16.1% G=79.8% B=4.1% Peak WL:Lp=450.5nm FWHM=21.1nm  
 Render Index:Ra=82.2 AvgR=74.7 TM30:Rf=83 Rg=95

R1 =80 R2 =87 R3 =93 R4 =82 R5 =80 R6 =82 R7 =88  
 R8 =66 R9 =5 R10=70 R11=80 R12=56 R13=82 R14=96 R15=74

Photo Parameters:

Flux = 19332.2 lm Eff. : 140.7 lm/W Fe = 31.66 W

Electrical parameters:

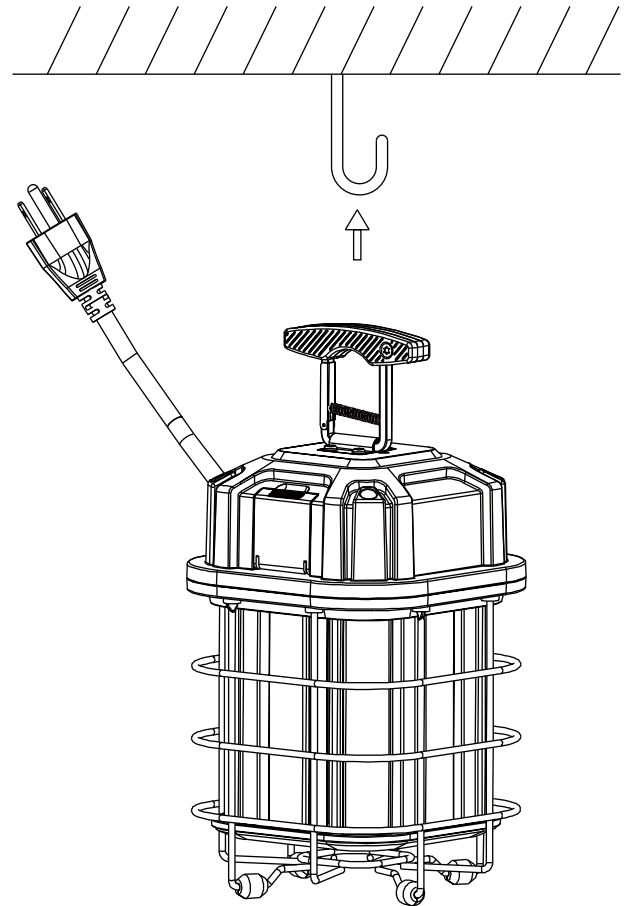
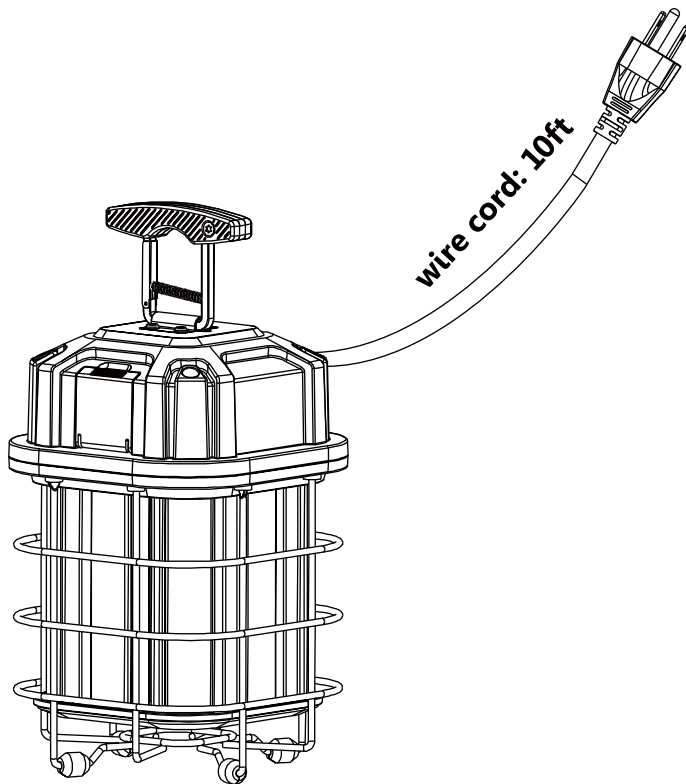
V = 119.89 V I = 1.156 A P = 137.4 W PF = 0.9917  
 LEVEL:OUT WHITE:ANSI\_5000K

Status: Integral T = 52 ms Ip = 33996 (52%)

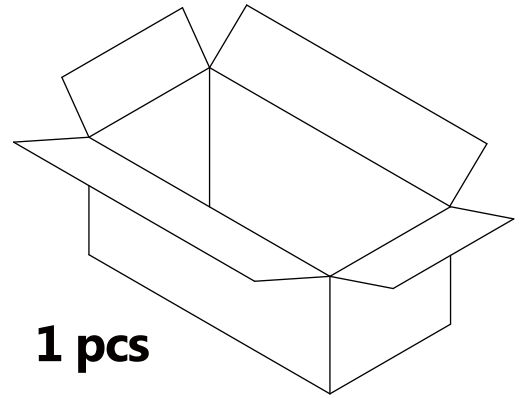
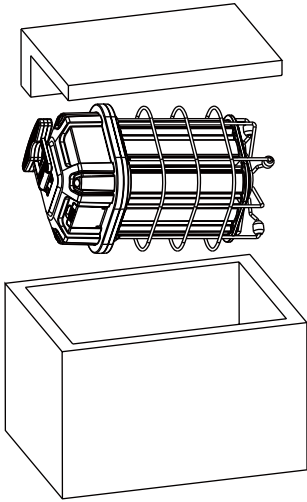
## INSTALLATION INSTRUCTIONS

1. Take the LED Temporary Work Light with hook from the package.

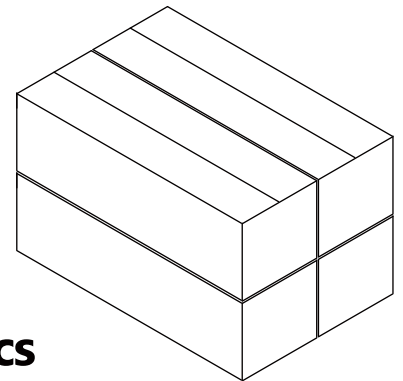
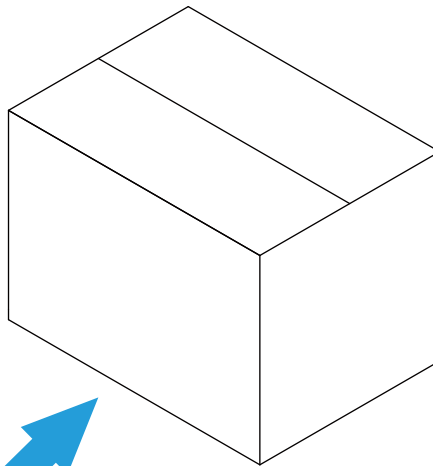
2. Install lamp hooks on reliable hooks or walls.



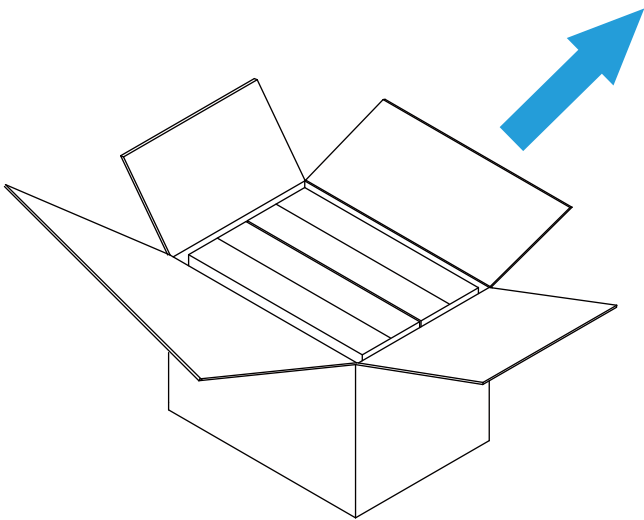
PACKAGE



1 pcs



4 pcs



Series	Unit	Size	Gross weight
TWX-80W	1Pcs	32.5*24.5*20.5 CM	2.7 KG
TWX-100W	4Pcs	51.0*34.5*43.5 CM	12.3 KG
TWL-125W	1Pcs	32.5*24.5*20.5 CM	3.2 KG
TWL-150W	4Pcs	51.0*34.5*43.5 CM	13.5 KG

