

LED Dusk to Dawn Light/Security Light



Features

- Power Factor: ≥ 0.95
- LED Chip: Philips
- CRI: $R_a \geq 70$
- Dimming: 0-10V
- Material: Aluminum alloy + PC cover
- Standard color: Dark Bronze
- Working Temperature: $-40^{\circ}\text{F} \sim 122^{\circ}\text{F}$
- Lifespan: > 54000 hours (@ $T_c = 176^{\circ}\text{F}$)
- Total Harmonic Distortion: 15%

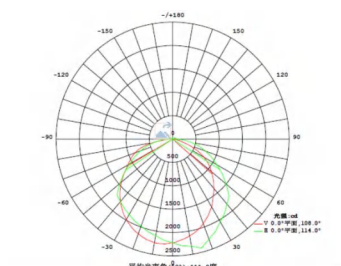
Application

Parking lots , backyard ,garden ,roadway ,warehouse ,building perimeters, side doors , back doors ,garage , alleyway etc

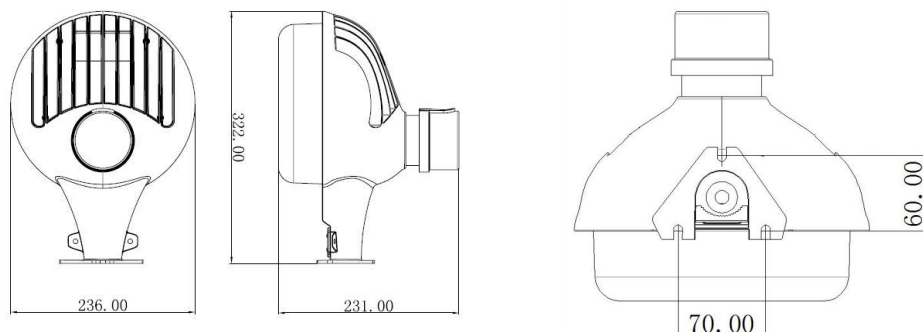
Ordering Information

Model	Wattage	CCT	Lumen	Replaces	Suggested mounting height	Warranty
YR-DD322-W030	30watt	5000K	3,900lm	100W MH	15"-25"	5 years
YR-DD322-W070	70watt	5000K	9,100lm	175W MH	25"-45"	5 years

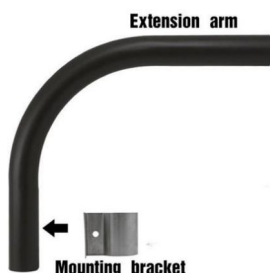
Beam Angle



Dimension



Accessories



Photocell dusk to dawn sensor, turns on automatically when the environment gets dark.



Photo sensor



mounting hardware

Mounting

- Direct wall mounting
- Arm mounting for poles