

LED UV BAR LIGHT



LED UV BAR LIGHT

Model No: BL-WW-80W  
BL-WW-160W

- EASY INSTALLATION
- WATERPROOF AND DURABLE
- SAVING ENERGY
- HEIGHTEN ATMOSPHERE
- NO POWER DESIGN

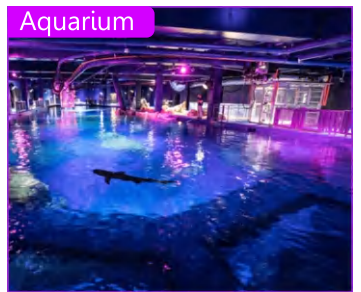


Features

- Universal voltage AC120V±10% 50-60Hz.
- Products without power supply design, adopts high-voltage linear IC design, stable quality, long life.
- Light source SMD3030 design, increase the LED luminous surface, more conducive to LED heat dissipation.
- The lamp shell is made of stretched aluminum profile, which has high thermal conductivity and good heat dissipation effect;
- Compact structure, firmness, corrosion resistance, IP65 waterproof level;
- Simple installation, convenient disassembly, the irradiation angle can be adjusted 360 degrees, and the scope of application is wide;
- Double row combination, each row can be adjusted individually or together to adapt to various lighting scenarios;
- High-efficiency luminous LED, energy saving and environmental protection.

Application

Large-scale stage performances, evening parties, urban lighting projects, bars, KTV, stage, clubs, family gatherings, birthdays and other indoor and outdoor scenes.



## Parameters

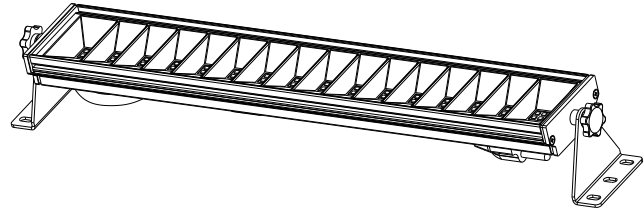
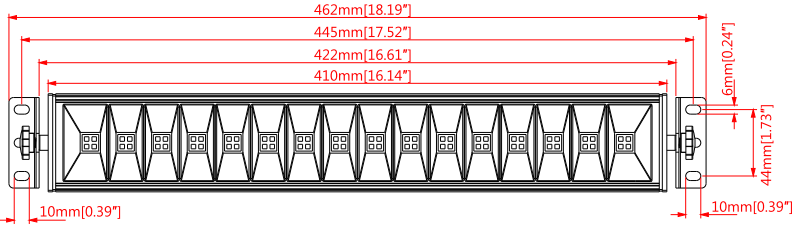
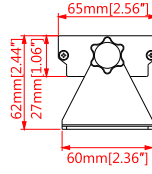
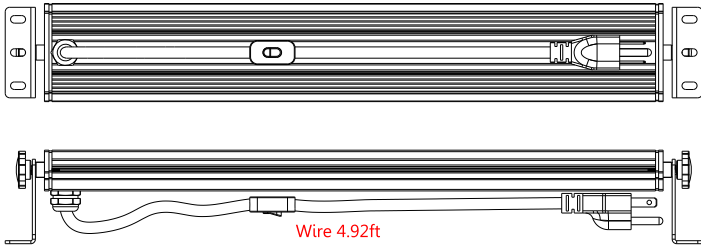
**BL-WW-80W**

Data sheet	Min	Typical	Max	Unit
Input Voltage(Vin)	108	120	132	(V)AC
Input Current(Iin)	400	430	470	mA
Input Frequency(F)	47	60	63	Hz
Total Power(P)	44	48	54	W
Power Factor(Pf)	0.94	0.95	0.96	—
Operating Temperature(To)	-20	25	50	°C
Working Humidity(Hop)	50	75	90	%RH
IP Level(IP)	—	65	—	—
Luminous Flux( $\Phi$ )	50	54.6	60	Lm
Beam Angle( $\theta$ )	/	90x110	/	°
Life Time	/	50000	/	H
Warranty	—	3	—	Year

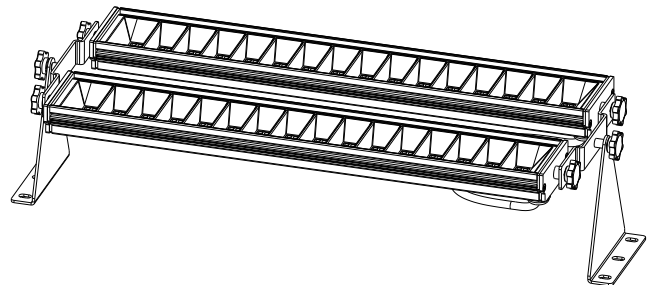
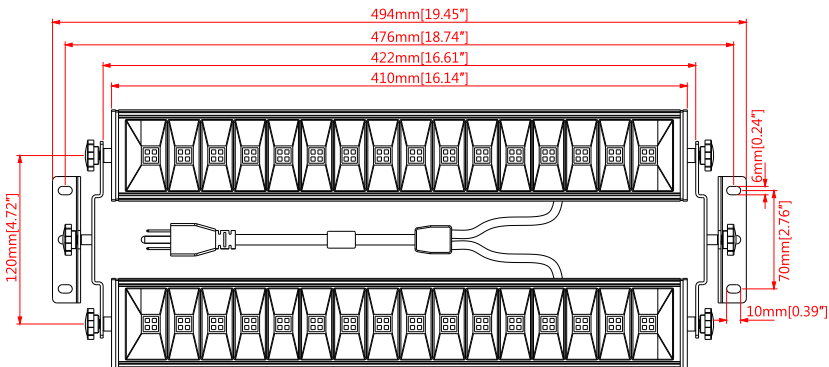
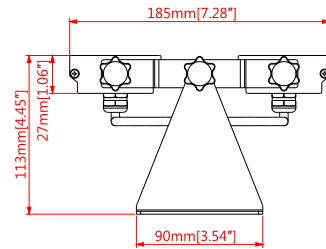
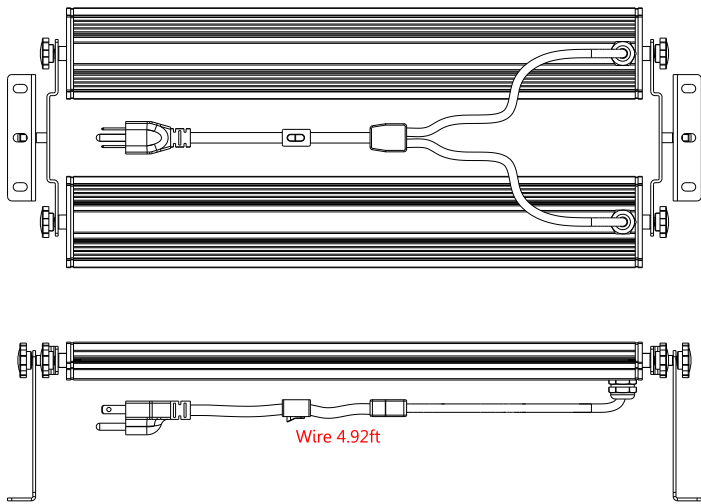
**BL-WW-160W**

Data sheet	Min	Typical	Max	Unit
Input Voltage(Vin)	108	120	132	(V)AC
Input Current(Iin)	400	430	470	mA
Input Frequency(F)	47	60	63	Hz
Total Power(P)	88	96	108	W
Power Factor(Pf)	0.94	0.95	0.96	—
Operating Temperature(To)	-20	25	50	°C
Working Humidity(Hop)	50	75	90	%RH
IP Level(IP)	—	65	—	—
Luminous Flux( $\Phi$ )	100	109	120	Lm
Beam Angle( $\theta$ )	/	90x110	/	°
Life Time	/	50000	/	H
Warranty	—	3	—	Year

DIMENSIONS

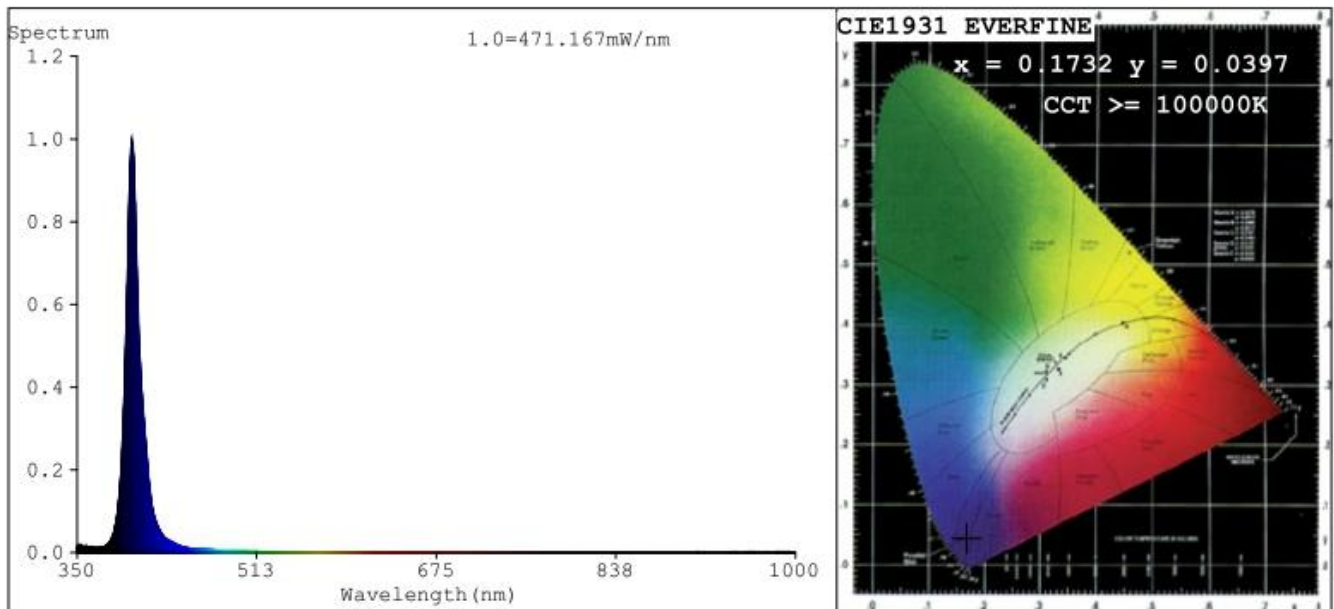


BL-WW-80W



BL-WW-160W

## BL-WW-80W Spectrum Test Report

**Color Parameters:**

Chromaticity Coordinate:  $x=0.1732$   $y=0.0397$   $u'=0.2214$   $v'=0.1140$

CCT=100000K(Duv=-0.1942) Dominant WL:Ld =446.6nm WL:Lc = --nm Purity=92.3%

Ratio:R=6.6% G=59.2% B=34.2% Peak WL:Lp=399.4nm FWHM=12.4nm

Render Index:Ra=17.6 AvgR=20.7 TM30:Rf=0 Rg=-75

R1 =56    R2 =26    R3 =0    R4 =0    R5 =50    R6 =3    R7 =4  
 R8 =3    R9 =0    R10=0    R11=0    R12=0    R13=74    R14=13    R15=82

**Photo Parameters:**

Flux = 52.71 lm    Eff. : 1.18 lm/W    Fe = 8.060 W

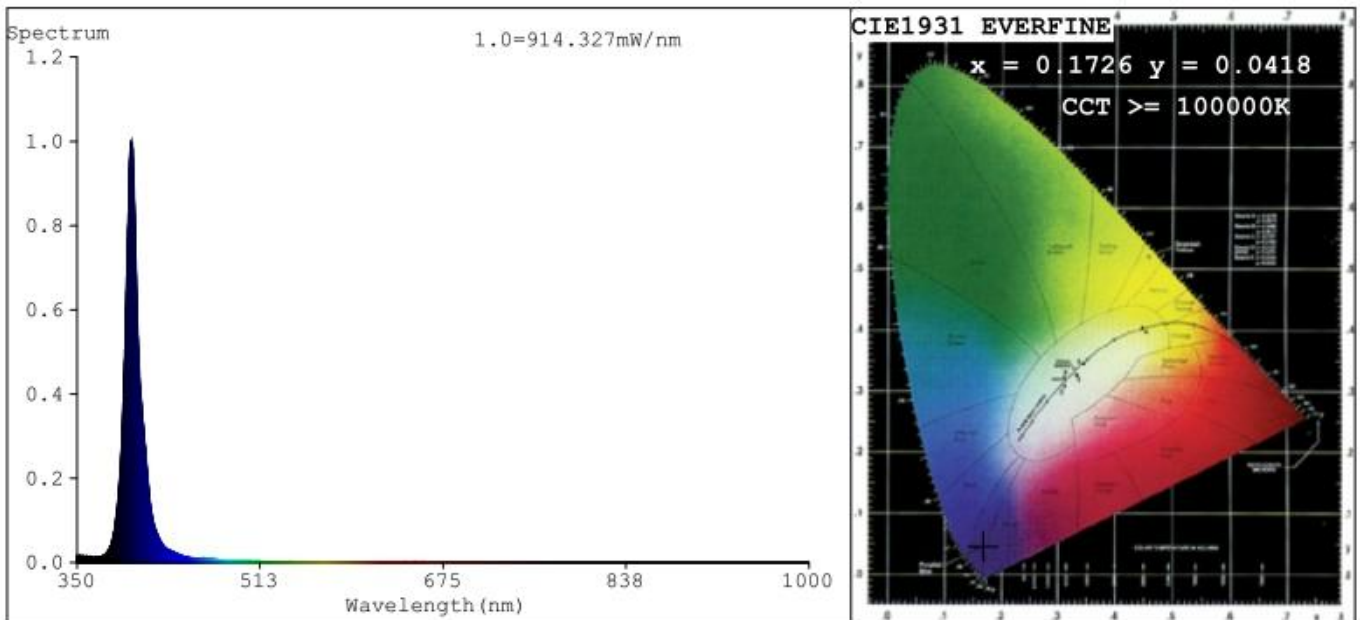
Photosynthetic:PPF:15.542umol/s PAR WATT:4499.1mW(400-700nm)

**Electrical parameters:**

V = 119.98 V    I = 0.3940 A    P = 44.61 W PF = 0.9436

LEVEL:OUT    WHITE:OUT

## BL-WW-160W Spectrum Test Report

**Color Parameters:**

Chromaticity Coordinate:  $x=0.1726$   $y=0.0418$   $u'=0.2188$   $v'=0.1191$   
 CCT=100000K (Duv=-0.1904) Dominant WL:Ld =448.1nm WL:Lc = --nm Purity=91.9%  
 Ratio:R=6.2% G=59.4% B=34.4% Peak WL:Lp=398.0nm FWHM=11.9nm  
 Render Index:Ra=17.9 AvgR=21.1 TM30:Rf=0 Rg=-83

R1 =53	R2 =29	R3 =0	R4 =0	R5 =49	R6 =3	R7 =6	
R8 =3	R9 =0	R10=0	R11=0	R12=0	R13=77	R14=15	R15=82

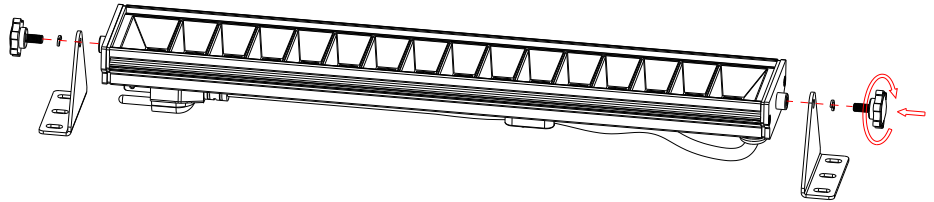
**Photo Parameters:**

Flux = 99.39 lm Eff. : 1.11 lm/W Fe = 15.65 W  
 Photosynthetic:PPF:25.604umol/s PAR WATT:7393.6mW(400-700nm)

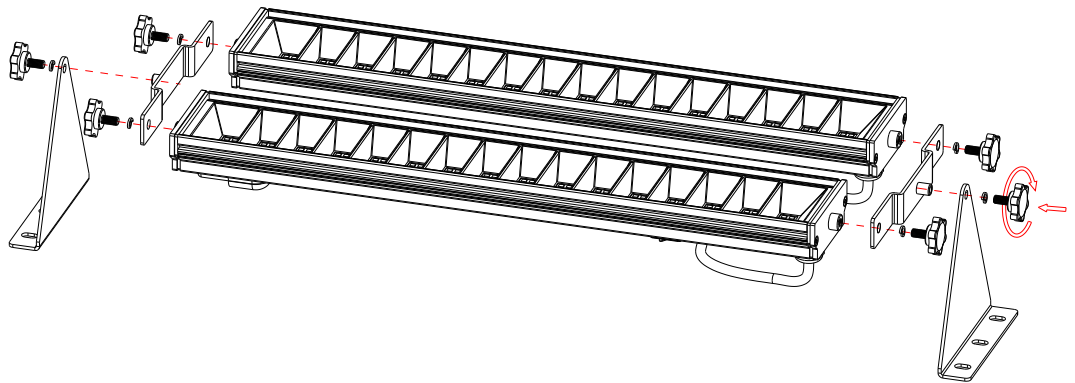
**Electrical parameters:**

V = 120.06 V I = 0.7885 A P = 89.33 W PF = 0.9437  
 LEVEL:OUT WHITE:OUT

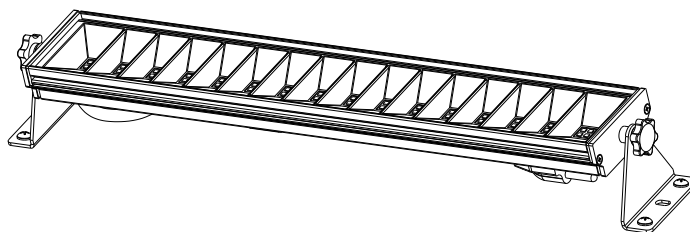
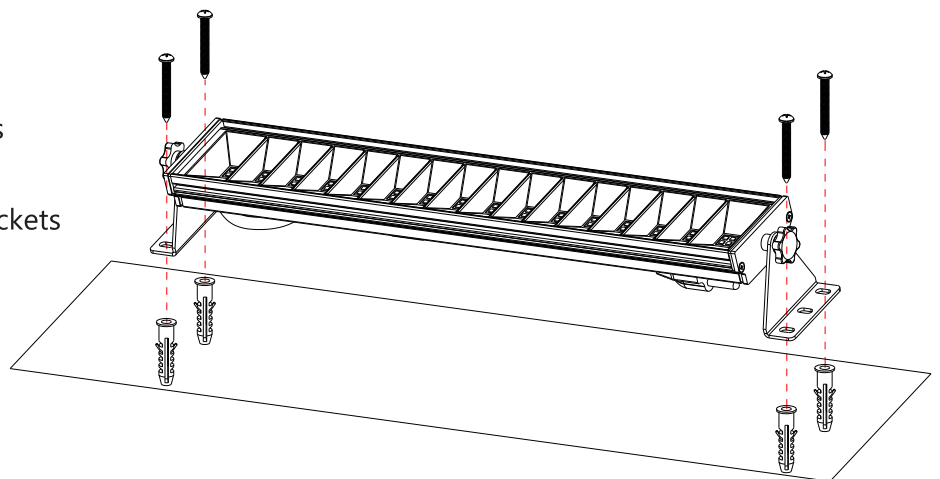
Single light :

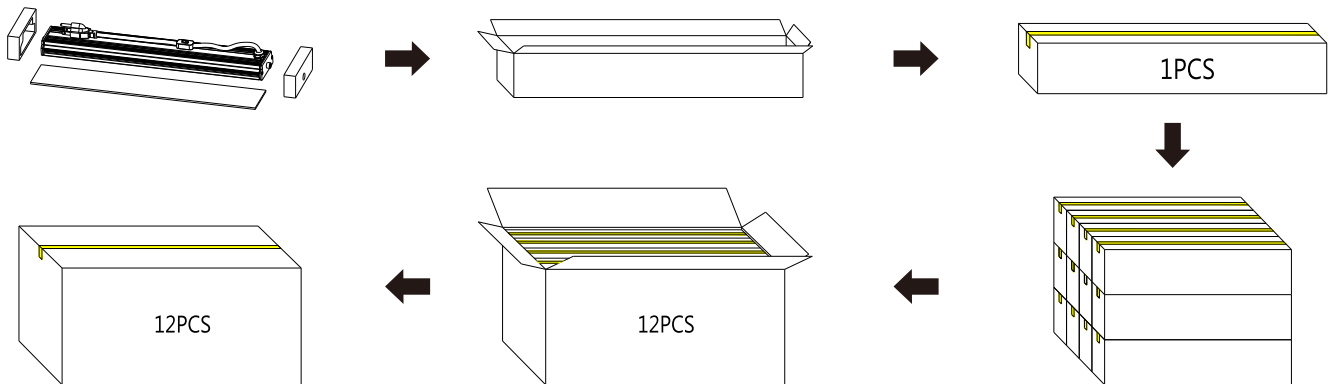


Double light :

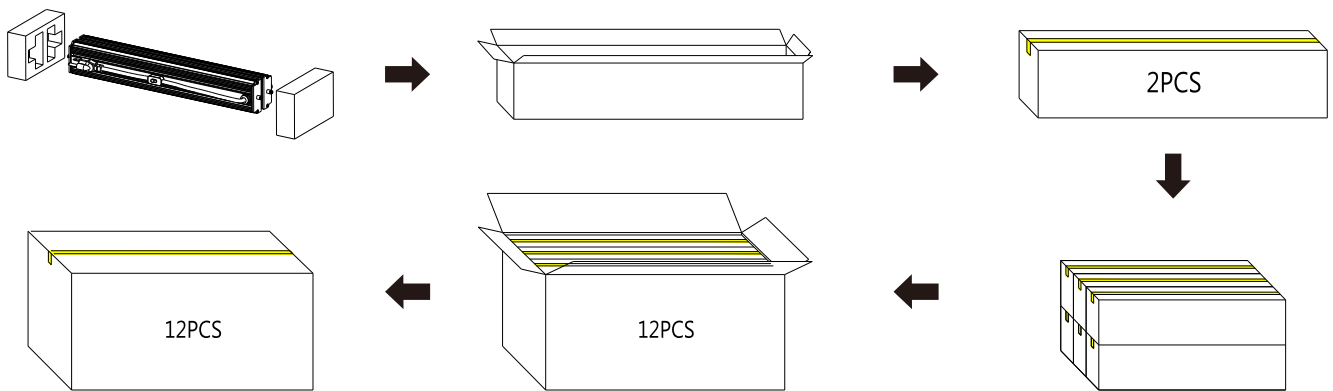


1. Drill 4 holes on the wall,  
then screw 4 expansion pipes  
into the holes.
2. Tighten 4 M5 screws into brackets  
to fix the light on the wall.










Single light









Double light

Series	Unit	Package Size	Total number of packages	Single Net Weight	Gross weight
Single pack	1 pcs	370*325*455mm	12 pcs	0.88kg	13kg
Two packs	2 pcs	463*218*455cm	12 pcs	0.88kg	13kg
Four packs	4 pcs	325*292*455cm	12 pcs	0.88kg	13kg

**Packaging accessories:**

<b>Single light</b>	Single light bracket x2	Knob screw x2	M5 screw x4
			
		Spring lock washer x2	Plastic expansion pipe x4
			

<b>Double light</b>	Double lights bracket x2	Knob screw x6	M5 screw x4
			
		Spring lock washer x6	Plastic expansion pipe x4
			
	Connector bracket x2		

**Using Tips**

- Linear UV light, only suitable for AC120V±10% of the country or region use;
- In the handling/storage, please pay attention to handle gently, do not heavy pressure, do not break.
- When installing lamps and lanterns, the wiring place should be insulated to prevent electricity leakage.
- Maintenance/repair/replacement of LED lamps, please turn off the power;
- Can not be used in flammable, explosive, high temperature, water leakage and corrosive places.
- Installation please find a professional electrician to install.
- The lamps and lanterns should be repaired or replaced by professional personnel in case of failure.