

# LED HIGH BAY(MHB06)



## Applications:

Suitable for commercial, retail and institutional applications including gymnasiums, factories and warehouses.

## Features

- Sealed die-casting profile for indoor and outdoor applications.
- Universal voltage of 120-277V&347-480V.
- 1-10V dimming standard for a dimming range of 100% to 10%.
- Best choice for replacing 250W MH and 400W MH.
- Above 80 color rendition index compared to HPS.
- Increase energy savings with bi-level motion sensor.
- Optional emergency battery to serve in accidental situation.
- Operating temperature is -40°C to 50°C (-40°F to 122°F).
- Hook mount, pendant mount and surface mount available.

67W&97W



140W



180W&215W



### Housing

Die-cast aluminum housing with heat dissipating fins. Sealed design with silicone strip for use in wet locations.

### Photometry

High Bay Photometry formed from high efficiency LEDs and scattering diffuser.

### Installation accessory

Available for both hook mounting and surface mounting with bracket(optional). Bracket allows to adjust the direction to illuminate any area you need.

### Emergency battery box

Emergency battery pack would provide the necessary brightness in emergency situations. Applicable ambient temperature is 10°C (50°F) to 40°C (104°F).

### Motion sensor(by 1/2 knockout)

Optional motion sensor allows for security and energy saving.



# PERFORMANCE DATA

SYSTEM WATTS	PHOTOMETRY	VOLTAGE	4000K(80CRI)		5000K(80CRI)	
			LUMENS	LPW	LUMENS	LPW
67W	High Bay	120-277VAC	9100lm	136lm/W	9100lm	136lm/W
97W	High Bay	120-277VAC	12300lm	127lm/W	12300lm	127lm/W
140W	High Bay	120-277VAC/347-480V	17500lm	125lm/W	17500lm	125lm/W
180W	High Bay	120-277VAC	24500lm	136lm/W	24500lm	136lm/W
215W	High Bay	120-277VAC	30000lm	140lm/W	30000lm	140lm/W

# ELECTRICAL DATA

Number Of Drivers	Driver Current (mA)	Nominal Power (W)	INPUT VOLTAGE (V)	CURRENT (Amps)
1	1080	67	120	0.56
		67	208	0.32
		67	240	0.28
		67	277	0.24
1	2500	97	120	0.81
		97	208	0.47
		97	240	0.40
		97	277	0.35
2	3300	140	120	1.17
		140	208	0.67
		140	240	0.58
		140	277	0.51
	3400	140	347	0.40
		140	480	0.29
1	930	180	120	1.50
		180	208	0.87
		180	240	0.75
		180	277	0.65
1	1065	215	120	1.79
		215	208	1.03
		215	240	0.90
		215	277	0.78

# DIMENSION

unit: inch/mm

Weight:

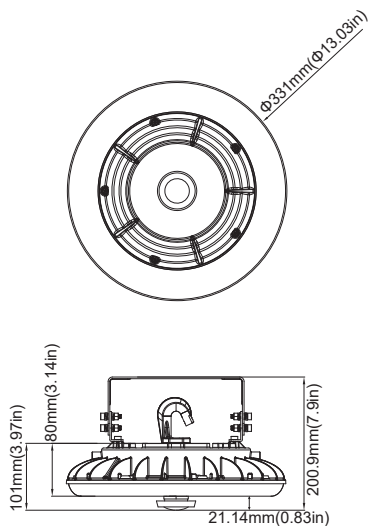
67W: 5.71 lbs(2.59kg)

97W: 5.95 lbs(2.7kg)

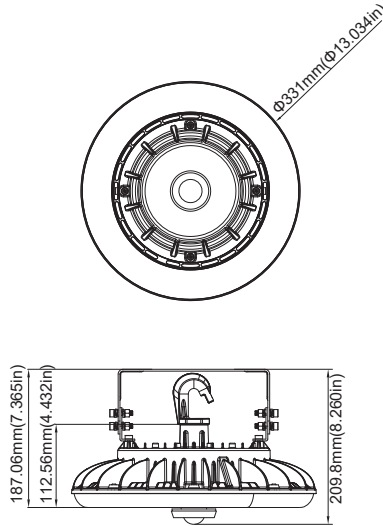
140W: 6.00 lbs(2.723kg)

180W: 6.61 lbs(3.0kg)

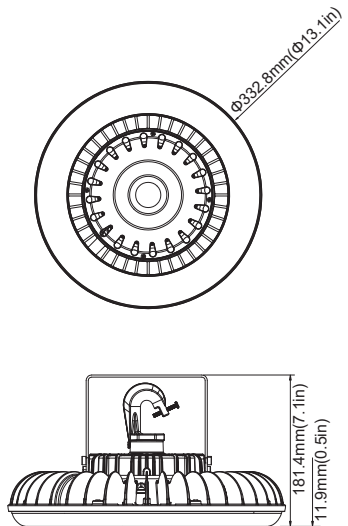
215W: 6.61 lbs(3.0kg)



67W&97W






140W



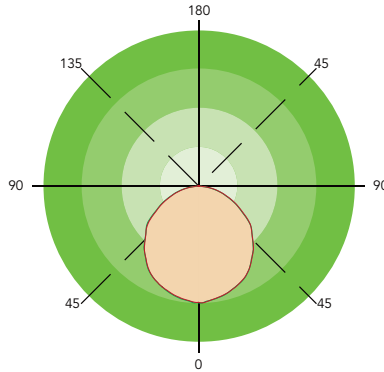
180W&215W

# ACCESSORIES

 <p><b>Motion Sensor</b> Integrated motion sensor available for on/off and dimming control for maximum energy savings.</p>	 <p><b>Emergency Box</b> Emergency battery pack would provide the necessary brightness in emergency situations. Applicable ambient temperature is 10°C (50°F) to 40°C (104°F).</p>	 <p><b>U-bracket</b> Use for surface mounting application. Available to adjust the angle of MHB06 to control the direction of irradiation. Two sizes for choosing to adapt two different struct.</p>
---	---	---

# PHOTOMETRICS

General



## ORDERING GUIDE Example: MHB06140W27V50KB

Fixture Type	Wattage	Voltage	CCT	Finish	Sensor (Option)	Backup Battery (Option)	Internal Code
<input type="text"/>	<input type="text"/>	<input type="text"/>	<input type="text"/>	<input type="text"/>	<input type="text"/>	<input type="text"/>	<input type="text"/>
<b>MHB06</b> High Bay Series	<b>67</b> 67W <b>97</b> 97W <b>140</b> 140W <b>180</b> 180W <b>215</b> 215W	<b>27V</b> 120-277V <b>48V</b> 347-480V	<b>40K</b> 4000K <b>50K</b> 5000K	<b>B</b> Black <b>D</b> Dark Bronze <b>W</b> White	<b>M</b> With Sensor <b>Blank</b> Without Sensor	<b>B</b> Emergency Battery <b>Blank</b> Without Emergency Battery	<b>Blank</b> <b>Alphanumeric</b>

Note: 1. 67W, 97W, 180W and 215W are only for 120-277V.  
2. Emergency Battery is not available for 180W and 215W.

# DLC Model NO.

SYSTEM WATTS	VOLTAGE	CCT	LED NO.	DLC NO.	DLC Classification
67W	120-277V	4000K	2835	MHB0667W27V40K[B,D,W][Blank,M][Blank,B][Blank,A-Z,a-z,0-9]	standard
		5000K	2835	MHB0667W27V50K[B,D,W][Blank,M][Blank,B][Blank,A-Z,a-z,0-9]	standard
97W	120-277V	4000K	2835	MHB0697W27V40K[B,D,W][Blank,M][Blank,B][Blank,A-Z,a-z,0-9]	standard
		5000K	2835	MHB0697W27V50K[B,D,W][Blank,M][Blank,B][Blank,A-Z,a-z,0-9]	standard
140W	120-277V	4000K	2835	MHB06140W27V40K[B,D,W][Blank,M][Blank,B][Blank,A-Z,a-z,0-9]	standard
		5000K	2835	MHB06140W27V50K[B,D,W][Blank,M][Blank,B][Blank,A-Z,a-z,0-9]	standard
	347-480V	4000K	2835	MHB06140W48V40K[B,D,W][Blank,M][Blank,B][Blank,A-Z,a-z,0-9]	standard
		5000K	2835	MHB06140W48V50K[B,D,W][Blank,M][Blank,B][Blank,A-Z,a-z,0-9]	standard