

**Lighting technical data**

# **LED 100W WALL PACK LIGHT**

**Lighting technical data**

**LED WALL PACK LIGHT is an alternative light source  
with longer life and uniformed light distribution**



LED WALL PACK LIGHT



Usage scenario



## LED WALL PACK LIGHT



## Line-Up

Model No.	Watts(W)	Light Output(lm)	Dimension(mm)	Light Color(K)	Beam Angle(Degree)
LN-WPXW100-HV-N-QW-BR-U-J-X00	100 ± 10%	12500 -10%	365 * 235 * 190	5000K	90
LN-WPXW100-HV-N-WW-BR-U-J-X00	100 ± 10%	11500 -10%	365 * 235 * 190	3000K	90

## Technical Specifications

Item	Test Conditions	Min.	Typ.	Max.
Input Voltage(V, rms)	AC	277	347	480
Input Current(mA, rms)	AC(120V)	---	289	---
Input Power(W, rms)	AC(All)	---	100	---
Input Frequency(Hz)	AC	---	50 / 60Hz	---
Power Factor(PF)	AC(All)	≥0.9		
Output Voltage(V)	DC	120	124	125
Output Current(A)	DC	0.76	0.8	0.81
Output Power(W)	DC	91.2	99.2	101.2

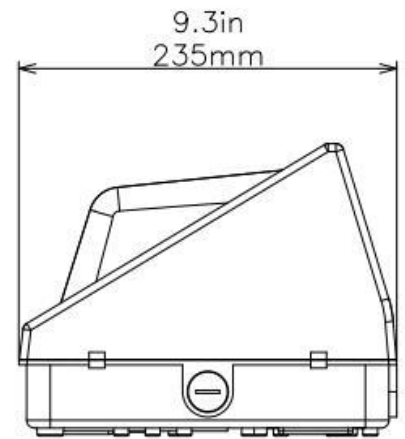
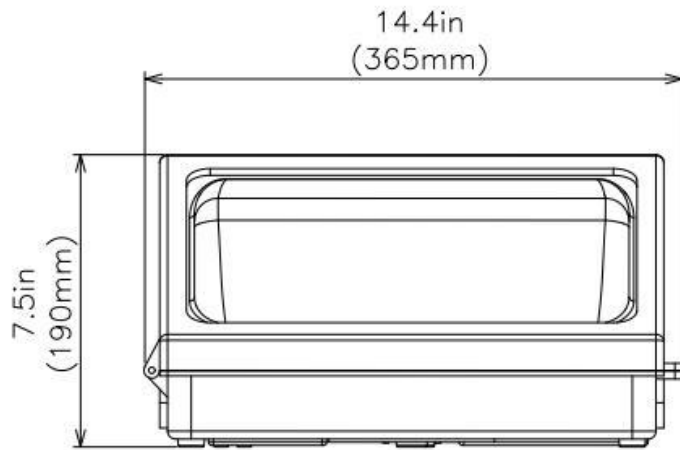
## Environmental Requirements

Specifications	Values
Operational Temperature Range	-40~40℃
Preservation Temperature Range	-40~90℃
Operational Humidity Range	95%Rh or below (@-20~40℃)
Installation Area	Outdoor (Counter,Residential,Commercial,etc)

# LED WALL PACK LIGHT



Drawing



Material	IP
ADC12	IP65
PC	

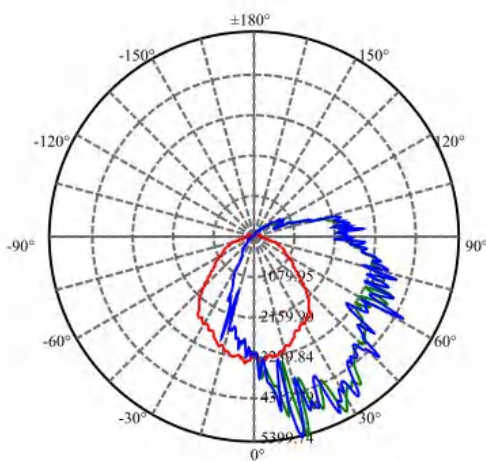
LED WALL PACK LIGHT



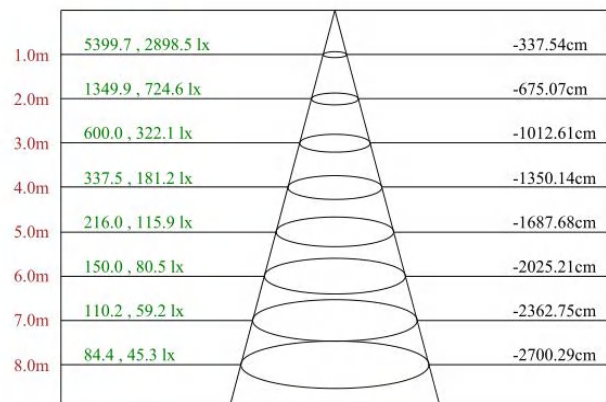
LN-WPXW100-HV-N-QW-BR-U-J-X00

Category	Specifications	Unit
Watts	100	W
Lumens per Watt(Efficacy)	125	Lm/W
Light Output	12500	lm
Light Color(CCT)	5000	K
Beam Angle	90	°(degree)
Color Accuracy(CRI)	70	Ra
Product Weight	3500	G
Rating Life	50000	H
Base	Line interface	
Input Voltage	277-480	V

Luminance Intensity Distribution



Cone Lux Diagram



Max , Ave Beam angle of C67.5plane122.17

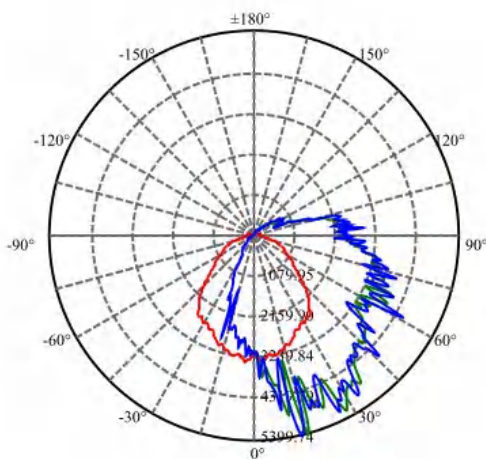
# LED WALL PACK LIGHT



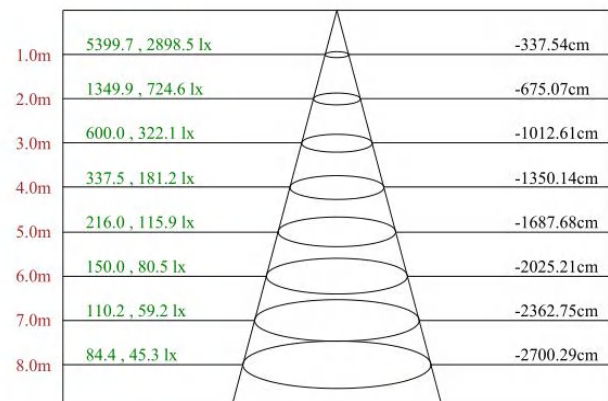
LN-WPXW100-HV-N-WW-BR-U-J-X00

Category	Specifications	Unit
Watts	100	W
Lumens per Watt(Efficacy)	115	Lm/W
Light Output	11500	lm
Light Color(CCT)	3000	K
Beam Angle	90	°(degree)
Color Accuracy(CRI)	80	Ra
Product Weight	3500	G
Rating Life	50000	H
Base	Line interface	
Input Voltage	277-480	V

Luminance Intensity Distribution



Cone Lux Diagram



Max , Ave Beam angle of C67.5plane122.17

**LED WALL PACK LIGHT**



Product Packaging	Specifications	Unit
Product Dimension	365 * 235 * 190	mm
Net Weigh	2.9	Kg
Size of box	400*275*230	mm
Gross Weight	3.5	Kg
Size of Carton	/	mm
Qty/ Carton	/	PCS
Weight/ Carton	/	Kg

**Revision History**

Mtime	Changed to: VER	Description of Change		
		Item	From	To